



Product information
HVAC VN Web Site Top Page



Technical documents
Download from PRO CLUB

PACKAGED AIR CONDITIONERS 2023/2024

Panasonic®



**Building Passion,
Building Solutions.**
Panasonic Air Conditioning Systems

We face a time in which "quality air" differentiates business. It's a time for Panasonic to fully display its strengths. Our ability to assemble and build superior systems isn't just due to the rich resources we have as a comprehensive electronics manufacturer, but also to Panasonic's 100 years of tradition, where each person thinks and acts on their own initiative while working in a team to reach further heights. We do not compromise. Each of our independent selves is a one stop solution. We face our customers' challenges together with our customers and do all that we can to build effective systems. As a true partner for our customers, we strive to always be at the forefront of business.

- Please read the Installation Instructions carefully before installing the unit, and the Operating Instructions before using it.
- Specifications are subject to change without prior notice.
- The contents of this catalogue are accurate as of August 31, 2023.
- Due to printing considerations, the actual colours may vary slightly from those shown.
- All graphics are provided merely for the purpose of illustrating a point.



Do not add or replace refrigerant other than the specified type. Manufacturer is not responsible for the damage and deterioration in safety due to usage of other refrigerant.

Authorised Dealer

PAC_General VN September 2023



nanoeX



CONEX

INVERTER

R32
REFRIGERANT

Panasonic Air-Conditioning Vietnam



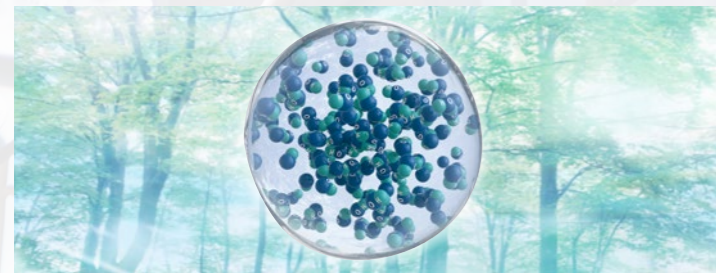
QUALITY AIR FOR LIFE

Making Social Spaces Comfortable and Enjoyable

Panasonic packaged air conditioners incorporate the unique nanoe™ technology as a standard feature. This technology helps deodorise and inhibit bacteria and viruses to improve the quality of the room air. In addition, the fast cooling system powered by the high-performance turbo fan combined with the exceptional energy efficiency of the R32 refrigerant makes it environmentally friendly. Panasonic helps transform cafes, restaurants, gyms and any place where people gather into a richer and friendlier environment.

CONTENTS

Introduction	2-3
Model Line-Up	4-7
Feature Highlight	
nanoe™ TECHNOLOGY	8-11
NX Series NEW ///	12-13
CONEX	14-15
4-Way Cassette NEW ///	16-17
Adaptive Ducted/Ceiling NEW ///	18-19
Other Functions	20-21
R32 Non-inverter 4-Way Cassette	22-23
Floor Standing NEW ///	38-39
Heat Pump Series NEW ///	42-43



Nearly all models*1 are equipped with nanoe™ X technology, which is effective on adhered pollutants, deodorises, and inhibits bacteria and viruses to provide 24 hours of quality air.

*1 Except for mini-cassette and non-inverter floor standing models.

CONEX



CONEX offers IoT integration that connects directly to a variety of apps for next-generation solutions. Easy control and access for end users, installers, and service partners with just one remote.

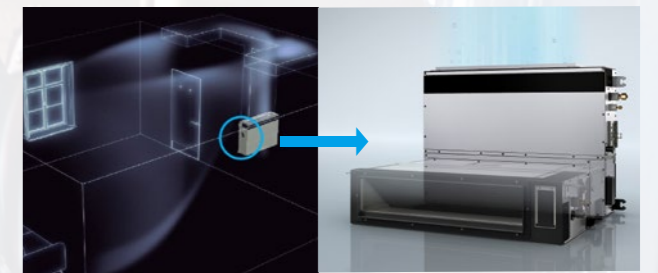
*2 Black models are also available.

Operation Range



The operating range of the new NX series expanded up to outdoor air temperature of 52°C. Even in an extremely hot environment like Asian countries, they operate powerfully with its toughness.

Adaptive Duct



New NX Series Adaptive Ducted units can be mounted not only horizontally but also vertically without the need for alterations. Our groundbreaking drain pan design delivers a new level of flexibility in an industry-leading vertical installation.

Cooling Only Inverter Model Line-Up



A wide lineup to fit your needs

The wide lineup suits a variety of applications, in offices, classrooms, restaurants, shops, and more. And all outdoor units are now 1-Fan types, making them smaller and lighter than previous models. Installation and construction are also easier.

Product	nanoe™ X	Refrigerant	Capacity (Btu/h)		
			11,900	16,700-17,100	20,100-20,500
NEW !!! 4-WAY CASSETTE NX SERIES DELUXE >>> P.24-25					
4-WAY CASSETTE NX SERIES STANDARD >>> P.26-27					
MINI CASSETTE >>> P.30-31					
NEW !!! ADAPTIVE DUCTED NX SERIES DELUXE/STANDARD >>> P.32-35					
CEILING EXPOSED NX SERIES STANDARD >>> P.36-37					
NEW !!! FLOOR STANDING >>> P.38-39		 			
OUTDOOR UNIT 4-WAY CASSETTE ADAPTIVE DUCTED NX SERIES DELUXE >>> P.48 (Dimension data)					
OUTDOOR UNIT 4-WAY CASSETTE ADAPTIVE DUCTED CEILING EXPOSED NX SERIES STANDARD >>> P.48 (Dimension data)					
OUTDOOR UNIT MINI CASSETTE >>> P.50 (Dimension data)					
NEW !!! FLOOR STANDING >>> P.51 (Dimension data)		 			

Capacity (Btu/h)				
24,200-24,600	29,000	34,100	39,200-42,700	47,800

* For specifications of outdoor units, please refer to the page of each compatible indoor unit.

Cooling Only Non-Inverter Model Line-Up

Cost-effective and recommended for light-commercial

These models are a cost-effective and practical solution for cooling rooms or spaces without the need for frequent adjustments to the temperature settings.

Product	nanoe™ X	Refrigerant	Capacity (Btu/h)		
			17,500-18,500	24,600-25,000	30,000
4-WAY CASSETTE >>> P.28-29	nanoeX Generator Mark1	R32 REFRIGERANT	 S-19PU1H5B	 S-25PU1H5B	 S-30PU1H5B
FLOOR STANDING >>> P.40-41		R22	 CS-C18FFH	 CS-C28FFH	
OUTDOOR UNIT 4-WAY CASSETTE >>> P.49 (Dimension data)		R32 REFRIGERANT	 U-19PN1H5	 U-25PN1H5	 U-30PN1H5 / U-30PN1H8*
OUTDOOR UNIT NEW FLOOR STANDING >>> P.51 (Dimension data)		R22	 CU-C18FFH	 CU-C28FFH	

* For specifications of outdoor units, please refer to the page of each compatible indoor unit.

36,000-36,500	42,600	42,500-45,000	48,500
 S-36PU1H5B	 S-42PU1H5B		 S-50PU1H5B
		 CS-C45FFH	
 U-36PN1H8*	 U-42PN1H8*		 U-50PN1H8*
		 CU-C45FFH*	

* 3 Pha

Heat Pump Inverter Model Line-Up **HEAT PUMP** **INVERTER**

A practical and cost-effective heating and cooling solution

An advanced and energy-efficient cooling and heating system. The inverter technology allows for precise temperature control, which reduces energy consumption, saves money on electricity bills.

Product	nanoe™ X	Refrigerant	Capacity (Btu/h)		
			18,000	21,000	24,000
NEW 4-WAY CASSETTE >>> P.44-45	nanoeX Generator Mark2	R32 REFRIGERANT	 S-18PU3HB	 S-2124PU3HB	 S-2124PU3HB
NEW ADAPTIVE DUCTED >>> P.46-47	nanoeX Generator Mark2	R32 REFRIGERANT	 S-18PF3HB	 S-2124PF3HB	 S-2124PF3HB
OUTDOOR UNIT NEW 4-WAY CASSETTE ADAPTIVE DUCTED HEAT PUMP MODELS >>> P.52 (Dimension data)		R32 REFRIGERANT	 U-18PZ3H5	 U-21PZ3H5	 U-24PZ3H5

* For specifications of outdoor units, please refer to the page of each compatible indoor unit.

34,100	43,000	48,000
 S-3448PU3HB	 S-3448PU3HB	 S-3448PU3HB
 S-3448PF3HB	 S-3448PF3HB	 S-3448PF3HB
 U-34PZ3H5	 U-43PZ3H5/U-43PZ3H8*	 U-48PZ3H5/U-48PZ3H8*

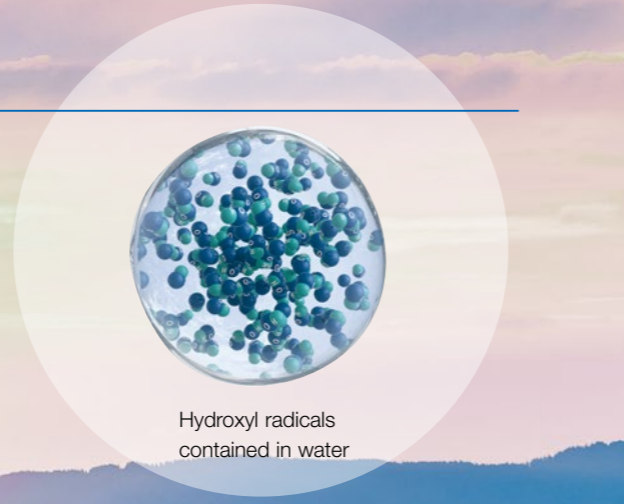
* 3-phase model is also available.

The Unique nanoe™ Technology

Bringing Nature's Balance Indoors

The well-being benefits of nature are well known - but do you know the power of hydroxyl radicals?

Abundant in nature, hydroxyl radicals (also known as OH radicals) inhibit pollutants, viruses and bacteria to clean and deodorise. nanoe™ X technology can bring these incredible benefits indoors so that hard surfaces, soft furnishings, and the indoor environment can be a clean and pleasant place to be, whether at home, at work, visiting hotels, shops or restaurants.



7 Effects of nanoe™ X : Creating Cleaner Environments

nanoe™ inhibits 5 types of pollutants, deodorises and moisturises thanks to the action of hydroxyl radicals contained in water.



The evidence page of nanoe™ X effect

Deodorises	Inhibits 5 types of pollutants	Moisturises
Odours	Bacteria & Viruses Mould Allergens Pollen Hazardous substances	Skin & Hair

24-hour nanoe™ X Air Protection

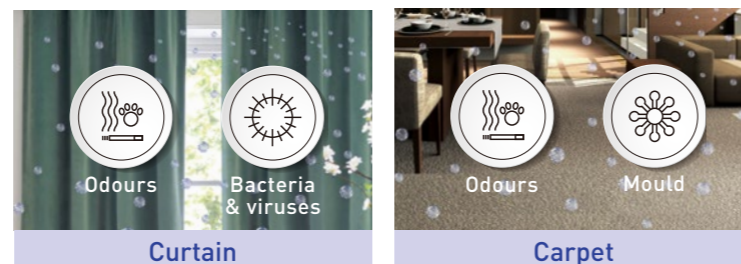
Get 24 hours of quality air for you and your loved ones by turning nanoe™ X on using Panasonic Comfort Cloud anywhere, anytime. nanoe™ X functions in the cooling mode and is maintenance-free, helping you enjoy cleaner air while keeping your costs down.



Please refer to the nanoe™ X website.

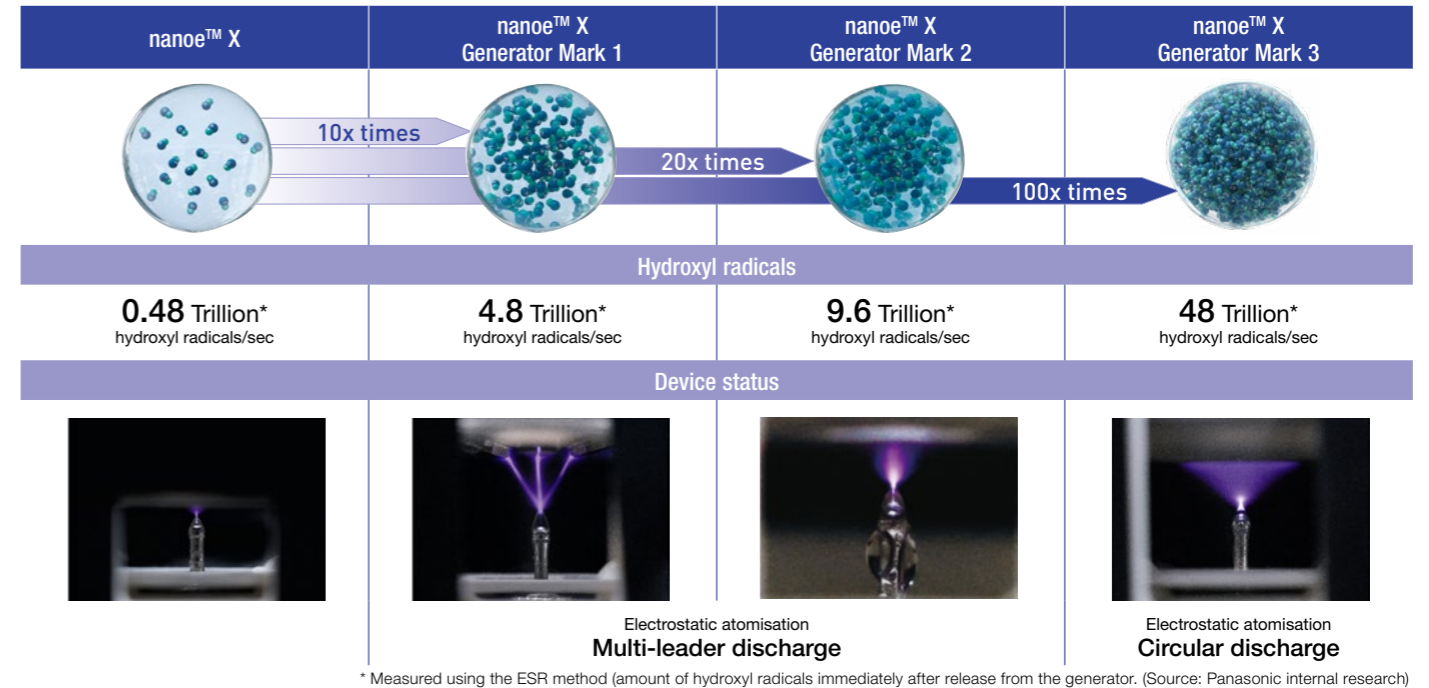
Effective on Adhered Pollutants

- Nano-sized OH radicals penetrate deep into fabrics.
- OH radicals denature malignant substances.
- No purifying filters are required, because OH radicals extensively spread out through the room to inhibit adhered pollutants.



nanoe™ X Device Evolution

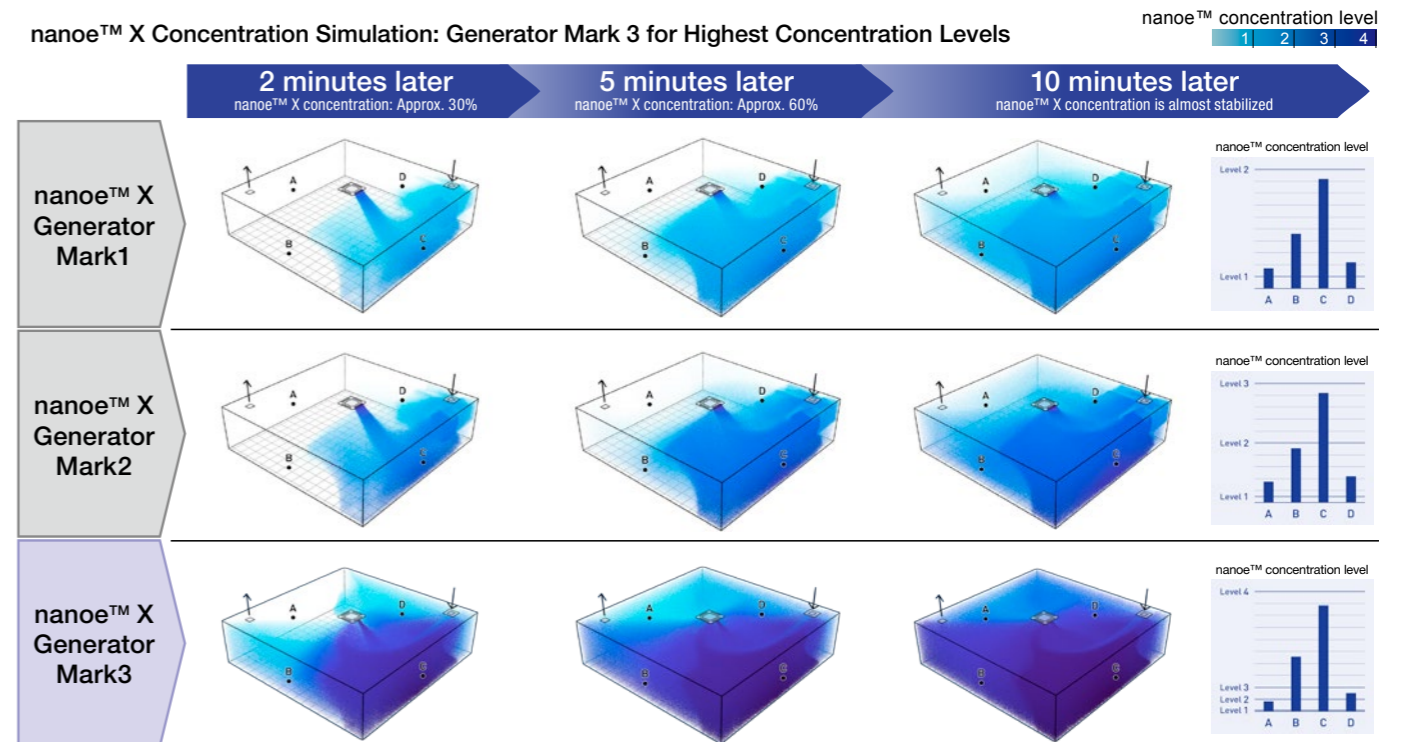
Dramatically increased release of hydroxyl radicals and making the high concentration of nanoe™ X in the space. The latest device, nanoe™ X Generator Mark 3, can be used in large spaces of more than 100 m² with greater effectiveness.



* Measured using the ESR method (amount of hydroxyl radicals immediately after release from the generator. (Source: Panasonic internal research))

Higher nanoe™ X Concentration, Even in Large Spaces

nanoe™ X Generator Mark 3 providing a 100-fold increase in hydroxyl radical generation*. Greater effectiveness even in large spaces of more than 100 m². * Compared to original nanoe™.



Conditions of the simulation : Verification space: 168 m³ / Room size: 70 m² / Room height: 2.4 m / Inspection model: 4-way cassette / Position of IDU: Centre

* There are 7 key benefits provided by nanoe which commence when concentration reaches Level 1. The concentration level affects the speed at which the benefits occur. Concentration level 2 is 10 times the concentration of level 1, and concentration level 3 is 20 times the concentration of level 1. ** The results shown are for simulation purpose only and concentration may vary due to actual room conditions

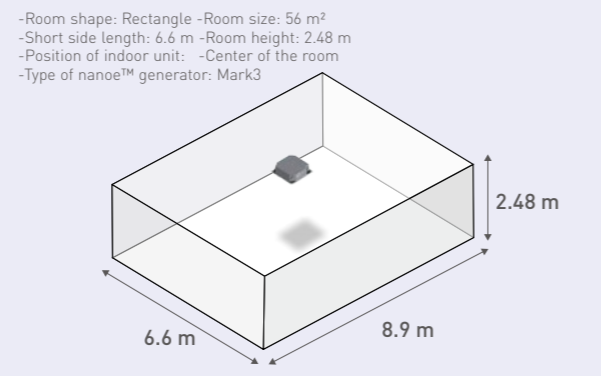
The Unique nanoe™ Technology

Third-party Certification of nanoe™ X Generator Mark 3



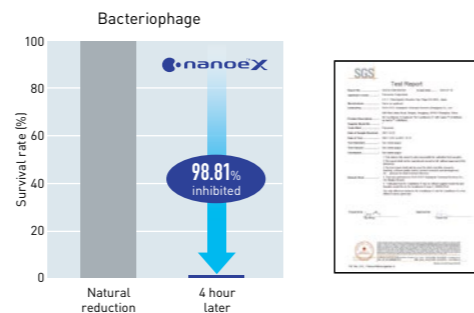
Test Overview

- Test organisation: SGS Inc.
- Test target: E. coli bacteriophage/cigarettes odour
- Type of IDU: 4-way cassette
- Test room: 139m³
- Report No: SHES210901902584



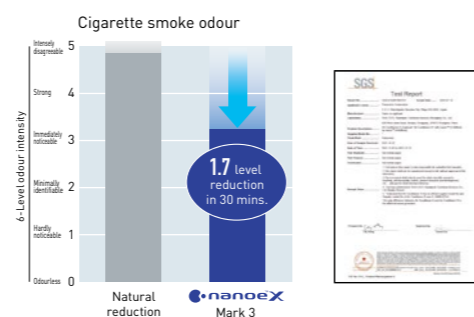
The nanoe™ X Generator Mark 3 inhibited virus (Escherichia coli bacteriophage MS2) of over 98% (139m³)

- Report No: SHES210901902584
- Issued date: 2022-07-18
- Manufacturer: Panasonic Corporation
- Laboratory: SGS-CSTC Standards Technical Services (Shanghai) Co., Ltd. 588 West Jindu Road, Xinqiao, Songjiang, 201612 Shanghai, China



The nanoe™ X Generator Mark 3 reduced adhering ageing odour(139m³)

- Report No: SHES210901902478
- Issued date: 2022-07-18
- Manufacturer: Panasonic Corporation
- Laboratory: SGS-CSTC Standards Technical Services (Shanghai) Co., Ltd. 588 West Jindu Road, Xinqiao, Songjiang, 201612 Shanghai, China



Transition of the nanoe™ X diffusion during the test



* Images are for illustrative purposes only.

nanoe™ X Helps to Solve Management Issues

Focus on management issues from each industrial category. The nanoe™ X technology provides solutions to the challenges of the future state and management of facilities.

Office

issue How to realise sustainable office

We don't want only to have a comfortable office, we want a sustainable office. We have tried several products for cleaning; 95% of the products were not sustainable or used chemicals. It will kill the bacteria, but it will also kill my furniture after a month of use.

Solutions High-quality air improves comfort and productivity

- Sustainable office design
- Co-working establishment of spaces

Veterinary clinic

issue Trouble between pets

Animals have a highly refined sense of smell, dogs for example are up to 100,000 times more sensitive to smells than humans, and that makes them particularly responsive to odours left by other animals.

Solutions Also stress-free deodorisation for animals

- Deodorisation of pet odour is essential
- Diffusers are stressful for odour-sensitive animals

Supermarket

issue Keeping areas where food/drinks are handled clean

We have a certain smell because of our products anyways, when you go to an organic store, it has the smell of nature, and people enjoy it. So we use only organic cleaning products without chemicals, we use them for store cleaning.

Solutions Naturally improved air quality ideal for food-serving spaces

- Longer in-store stays and increased customer traffic due to the good smell of organic products.

Restaurant

issue Improving reputation among customers

The cleanliness of the restaurant was paramount to the appearance of the entrance and surroundings. However, it was found that guests were most interested in the cleanliness of the crockery used and the odour of the restaurant.

Solutions 24-hour air conditioning control and deodorisation with Comfort Cloud

- Guests are very sensitive to odours inside restaurants
- Owners are less concerned about odour in the shop

NX Series **NEW**



- New DELUXE 4-Way Cassette, equipped with nanoe™ X technology (Mark 3)
- Other indoor units are equipped with nanoe™ X technology (Mark 2) as standard
- The NX series features DELUXE and STANDARD series models.

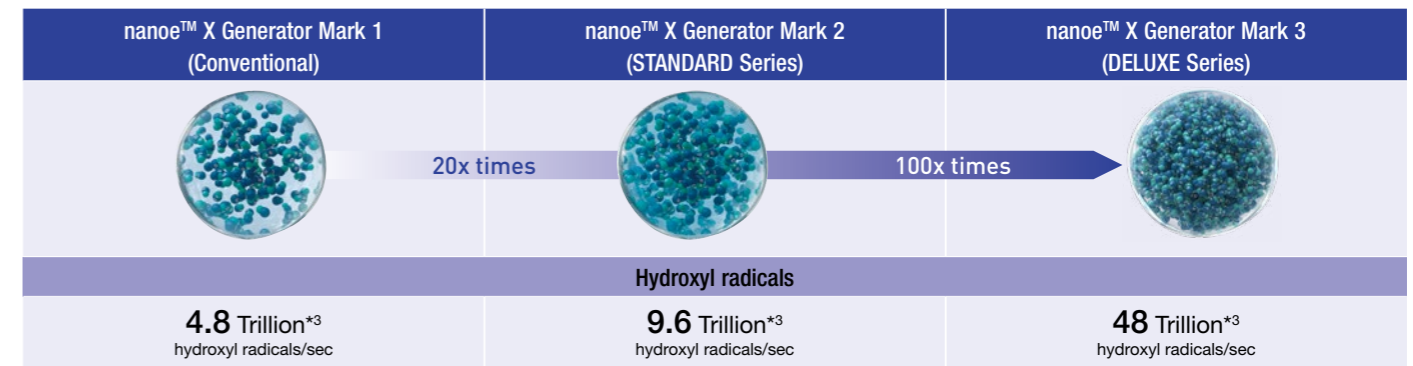
Product	Capacity [Btu/h]						
	17,100	20,500	24,200	27,600/29,000	34,100	42,700	45,500-47,800
4-Way Cassette DELUXE nanoeX CONEX Generator Mark3	S-1821PU3HA		S-2430PU3HA			S-3448PU3HA*2	
4-Way Cassette STANDARD nanoeX CONEX Generator Mark2	S-1821PU3H		S-2430PU3H			S-3448PU3H*2	
Adaptive Ducted DELUXE/STANDARD nanoeX CONEX Generator Mark2	S-1821PF3H		S-2430PF3H			S-3448PF3H*2	
Ceiling Exposed STANDARD nanoeX CONEX Generator Mark2	—	S-1821PT3H-8	—	S-2430PT3H-8	—	S-3448PT3H-8*2	
Outdoor DELUXE INVERTER R32 REFRIGERANT	U-18PRH1H5	U-21PRH1H5	U-24PRH1H5	—	U-34PRH1H5	U-43PRH1H5	U-48PRH1H5
	—	—	—	—	—	U-43PRH1H8*2	U-48PRH1H8*2
Outdoor STANDARD INVERTER R32 REFRIGERANT	U-18PR1H5	U-21PR1H5	U-24PR1H5	U-30PR1H5	U-34PR1H5	U-43PR1H5	U-48PR1H5
	—	—	—	—	—	U-43PR1H8*2	U-48PR1H8*2

*1 Black models are also available. *2 3-phase model newly added.
 Note: DELUXE and STANDARD Series indoor units can only be connected to outdoor units of the same series.

Differences between DELUXE and STANDARD 4-Way Cassette

The DELUXE and STANDARD series differ in terms of nanoe effectiveness, energy efficiency and operating temperature, depending on the project requirements.

Differences	STANDARD Series	DELUXE Series
nanoe™X	Generator Mark 2	Generator Mark 3
CONEX	Connectable	Connectable
COP	Ave. 3.38	Ave. 4.15
CSPF	Ave. 5.80	Ave. 6.50
Operation range	16 - 46°C	16 - 52°C
Piping length	24,200Btu or less 5-30m 29,000Btu and above 5-50m	5-50m for all range

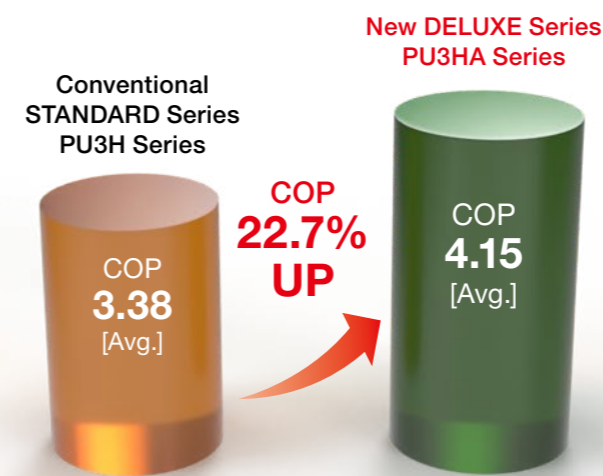


*3 Measured using the ESR method (amount of hydroxyl radicals immediately after release from the generator). (Source: Panasonic internal research)

High Energy Efficiency to Save Power Consumption

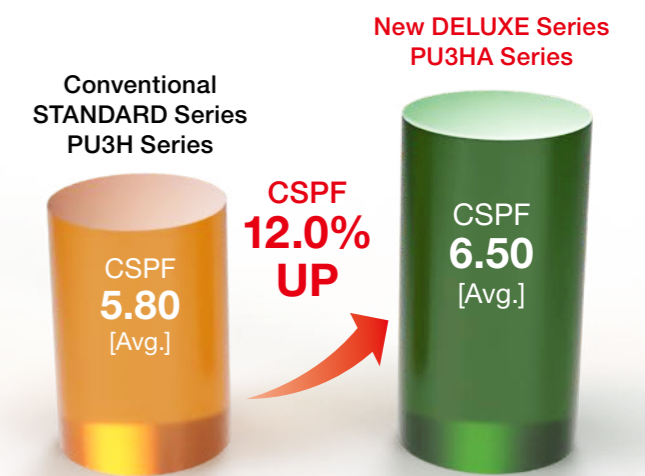
NX series has 2 Lineup DLX & STD series, choose STD and DLX series depend on the project requirements. For DLX series, the Coefficient of Performance has been especially improved to reduce power consumption.

COP Comparison



* For 4-Way Cassette

CSPF Comparison



* For DELUXE series 4-Way Cassette

Smart Connect with CONEX

A next-generation remote control solution with smart apps

CONEX offers IoT integration that connects directly to a variety of apps for next-generation solutions. Easy control and access for end users, installers, and service partners with just one remote.



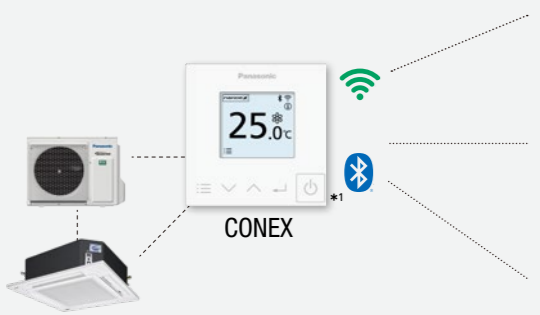
Please refer to the CONEX website.



*1 Black models are also available.

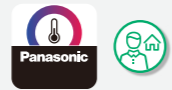
CONEX Control

New smart design with built-in BLE & WLAN model.



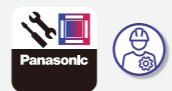
Comfort Cloud-End User

High level control and energy monitoring via WLAN and cloud giving access from anywhere anytime.



H&C Control App-End User & Installer

H&C Control App makes complex initial set-up easy and allows installers to respond swiftly to clients' requests via Bluetooth.



H&C Diagnosis App-Service Partner

Provides the service partner with detailed operational data, for in-depth analysis and optimising the system.

For End Users



Remote operation via Wireless LAN

With the Comfort Cloud App, you can maintain your own custom air quality even when you're outside.



Comfort day to day operations

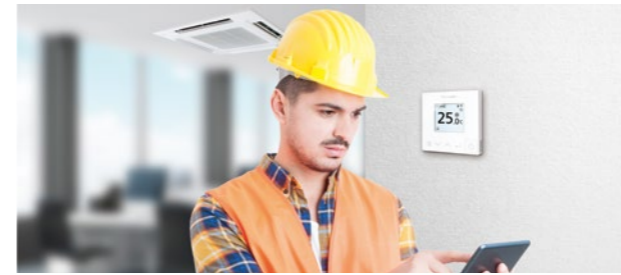
H&C Control App makes complex initial set-up easy via Bluetooth.



Intuitive operation for easy configuration

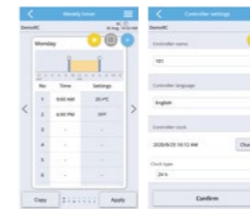
It is very easy to customize settings and perform operations including initial controller configuration such as weekly timer.

For Installers



Detailed operation and maintenance setting

H&C Control App makes complex initial set-up easy and allows installers to respond swiftly to clients' requests via Bluetooth.



Intuitive operation for easy configuration

Simplified initial controller configuration together with easy access to comprehensive settings including weekly timer and maintenance.



Quicker configuration for multiple controllers

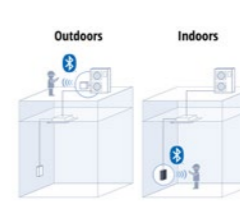
Save time with templates - Copy weekly timers and settings to multiple controllers.

For Service Partners



Diagnosis and trouble shooting

The H&C Diagnosis app allows users to intuitively browse current stats and information about the air conditioners via Bluetooth.



Diagnosis from both indoor and outdoor*

With CONEX, operation status can be checked and failure can be diagnosed from both indoor and outdoor units even when site access may be difficult for either indoor or outdoor unit.

*2 A new service checker interface is required to diagnose from outdoor.



New service checker interface**

The new service checker interface provides easy access to service parameters and the diagnosis history data from outdoor unit via Bluetooth**.

*3 Available as a spare part, compatible with new PAC NX Series.

NX Series Remote Controller Information

Compatibility Table				
CONEX Type	CZ-RTC6WBLW Built-in BLE & WLAN 	CZ-RTC6WBL Built-in BLE 	CZ-RTC6W 	
	○	○	—	
	○	○	—	
	○	—	—	

Wireless Remote Controller

For 4-Way Cassette & Ceiling Exposed



For Adaptive Ducted (Optional)



CZ-RWS3

CZ-RWRC3

Wired Remote Controller

For 4-Way Cassette & Ceiling Exposed



CZ-RTC6WBLW
CZ-RTC6WBL
CZ-RTC6W



CZ-RTC6BLW
CZ-RTC6BL
CZ-RTC6



CZ-RTC5B



CZ-RTC4

NX Series 4-WAY CASSETTE **NEW**

Industry-leading Powerful Airflow

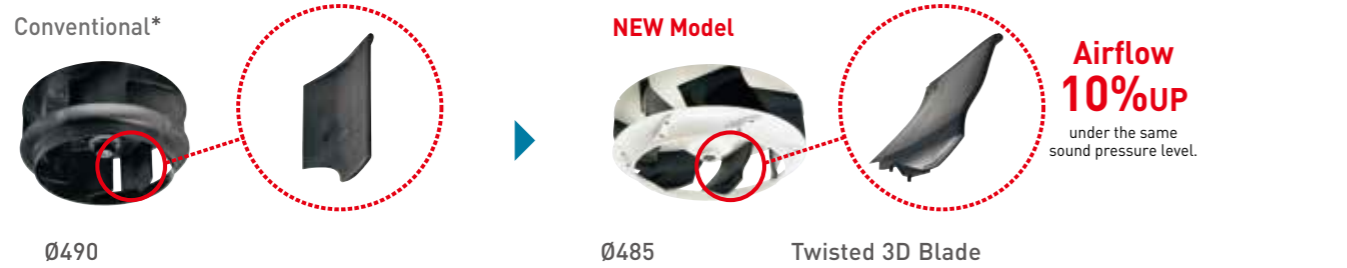
The Turbo Fan with Twisted 3D Blades provides a large and powerful airflow to cool every corner of the room.



R32 Inverter 4-Way Cassette

Capacity Class (k Btu/h)		17.1	20.5	24.2	29.0	34.1	42.7	47.8
Airflow Volume (m³/min)	DELUXE Series	25.0	25.0	25.0	—	36.4	36.4	36.4
	STANDARD Series	25.0	25.0	25.0	25.0	36.4	36.4	36.4

Twisted 3D Blade Turbo Fan

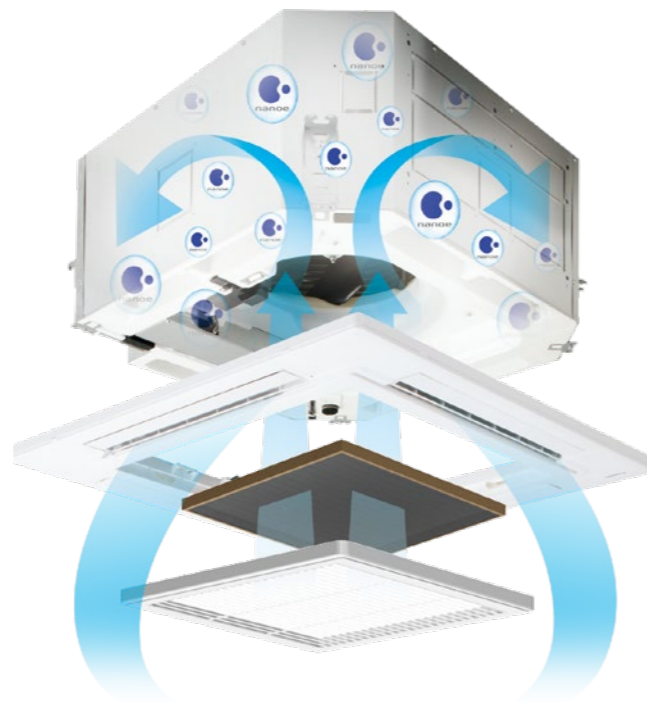


*Comparison between CS-D**DB4H5 models.

Internal Cleaning Function for New 4-Way Cassette

Operate the Fan to Circulate nanoTM X Internally

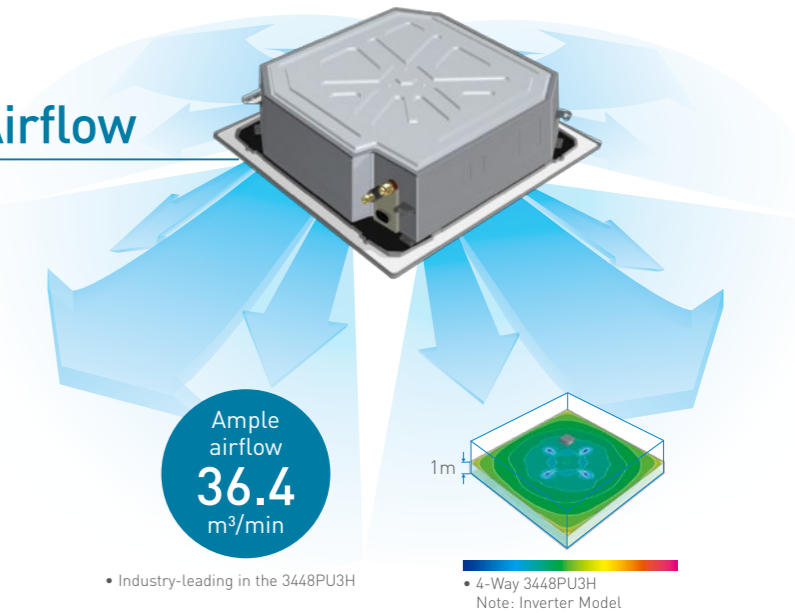
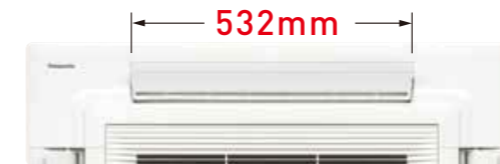
After cooling/drying operation, the inside of the indoor unit is automatically dried. nanoTM X is activated to suppress mould growth and to reduce odour.



360° Wide & Comfortable Airflow

Air from the center is sent farther and the air blown out of the wide side flaps spreads throughout the room. The air comes from all four sides of the unit and expands gently in a circle centered on the indoor unit.

Wide Flap



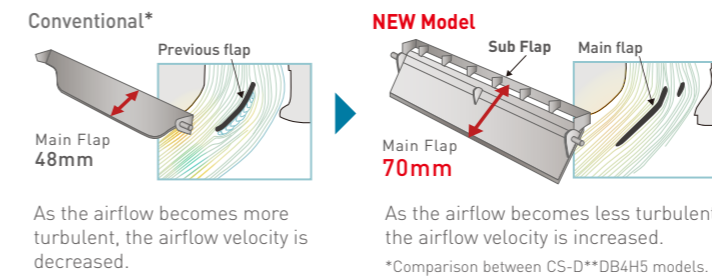
• Industry-leading in the 3448PU3H

• 4-Way 3448PU3H
Note: Inverter Model

Long Airflow

Adding a sub flap and widening the main flap have reduced turbulence and increased airflow. Also, the wider angle jetting port allows the airflow to reach as far as five meters.

Large Flap and Sub Flap



As the airflow becomes more turbulent, the airflow velocity is decreased.

As the airflow becomes less turbulent, the airflow velocity is increased.
*Comparison between CS-D**DB4H5 models.



• 4-Way 3448PU3H

Quality

Equipped with double insulation

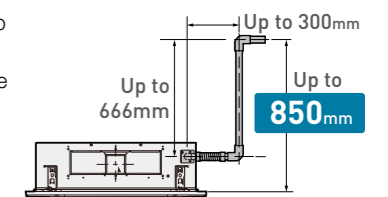
To prevent dew condensation in humid conditions, the indoor unit of Panasonic packaged air conditioners has both inside and outside heat insulators.



Installation

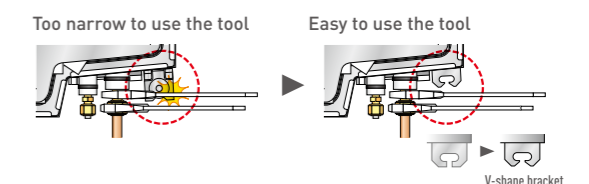
A strong and quiet drain pump

The drain pump can pump water up to a height of 850mm, making drain pipe layout easy.



Easy installation design

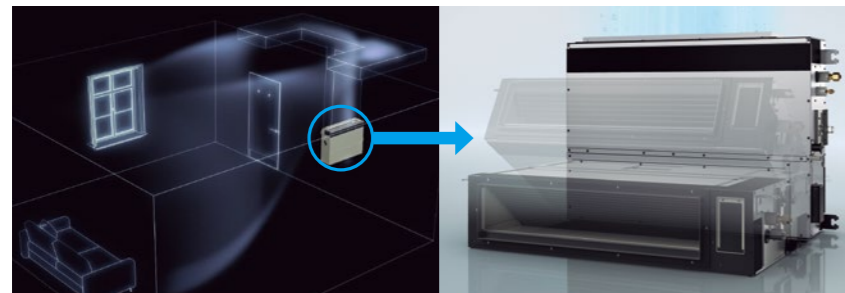
For easier installation, the design allows space to use tools without damaging the interior. Also, by improving the bracket's shape into a V-shape, it is easier to hook the anchor bolts.



NX Series Flexible Installation Adaptive Ducted **NEW**



New NX Series Adaptive Ducted units can be mounted not only horizontally but also vertically without the need for alterations. Our groundbreaking drain pan design delivers a new level of flexibility in an industry-leading vertical installation.



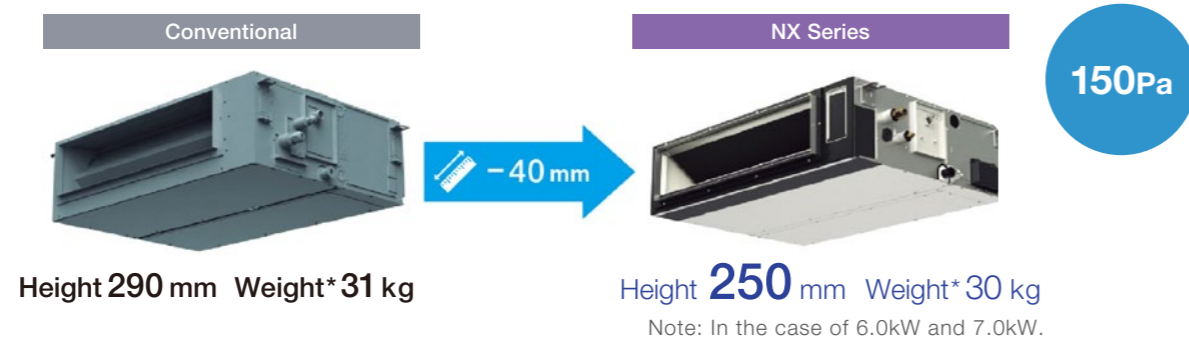
Product information Website

Compact Body with Powerful 150 Pa ESP

The indoor units have also been completely renewed, offering a 40 mm height reduction to only 250 mm* and a weight reduction of up to 10%, all while maintaining the same powerful 150 Pa.

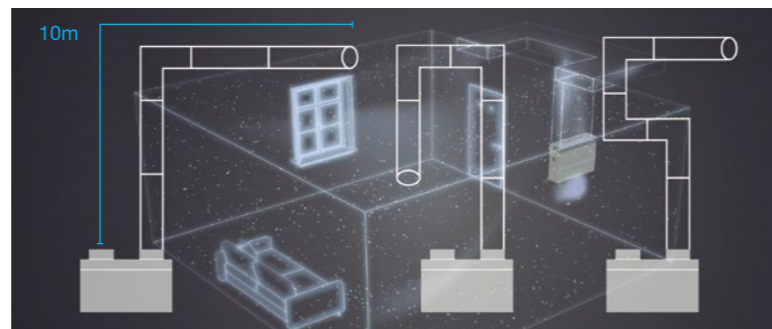
* Compared to conventional model.

Space saving 250 mm height



Superior Air Quality **nanoeTM X**

The new ducted models are equipped with nanoeTM X as standard, a unique air quality improvement technology producing twice the amount of hydroxyl radicals compared to previous generations. Combined with the strong static pressure this ensures pristine nanoeTM X air travels unaffected even through multiple duct shapes at lengths of 10m, as well as making them ideal for use in larger spaces.

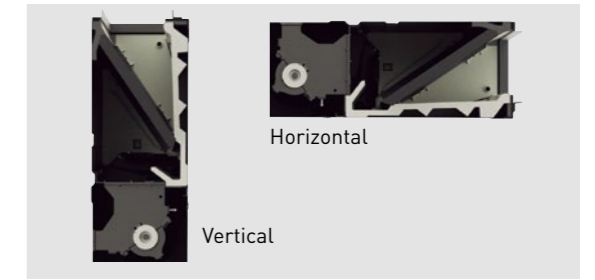
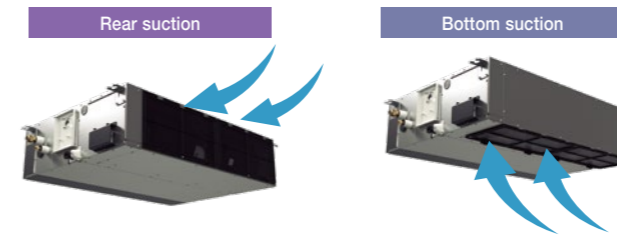


Based on in-house test result, even with a total ductwork length up to 10m, effectiveness of nanoeTM X is maintained.

Note: PF3 and PE3 (16.0kW and below) ranges only.

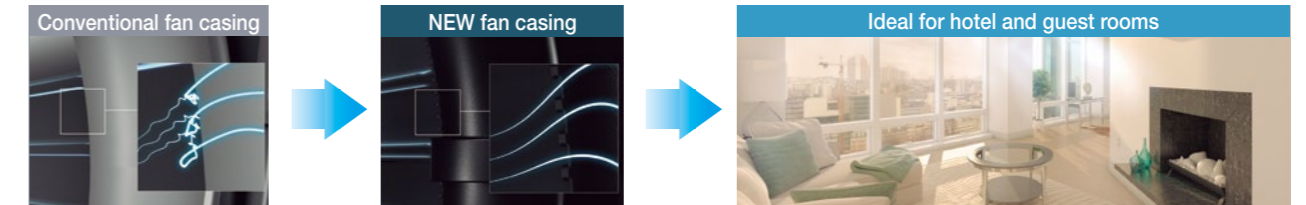
Compact Body with 150Pa ESP

- The air inlet angle is also adjustable to the bottom.



Quiet Comfort

- Low noise operation using on improved fan casing

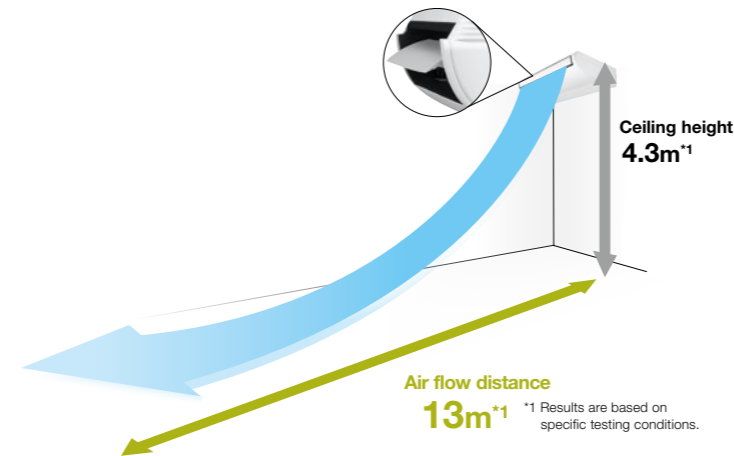


NX Series Ceiling

Comfortable, Long-Distance Airflow Distribution

- Long-Distance Airflow up to 13m (* If use 3448 type Indoor unit)

The shape of the outlet has been optimised to provide long-distance air flow distribution. Even in long rooms, air flow reaches every corner for exceptionally comfortable air conditioning.

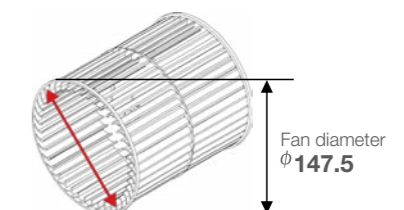


Top-class Efficiency

New DC fan motor



Large Diagonal Air Flow Fan



Other Functions

Next Generation R32 Refrigerant

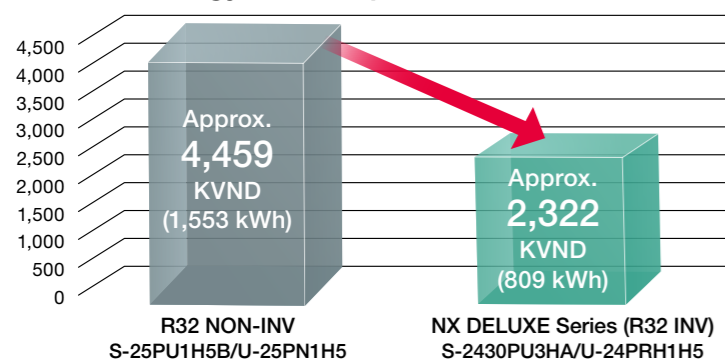
Compared to R22 and R410A, R32 has a very low potential impact on the depletion of the ozone layer and global warming. While maintaining its strong power, higher energy efficiency of R32, coupled with Panasonic's technology, the ingenious design allows for a more compact outdoor unit that fits into any space and layout.



High COP: Save More with DELUXE Series

Comparison between R32 NON-INV (S-25PU1H5B/U-25PN1H5) and R32 INV NX DELUXE Series (S-2430PU3HA/U-24PRH1H5)

Annual energy consumption



Approx. **48%** ^{2,137 KVND} **DOWN**

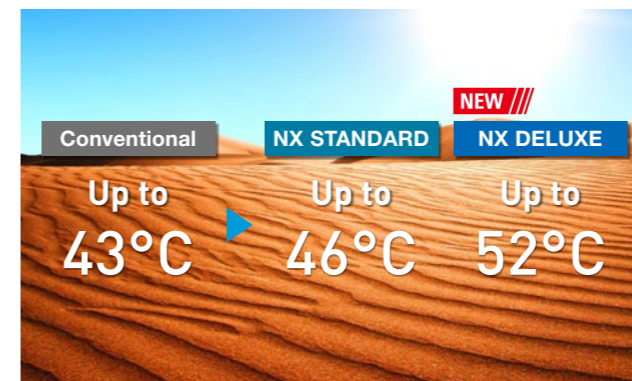
The longer you use the R32 inverter NX DELUXE series, the more you save!

Capacity [Btu]	Annual Energy Consumption [kWh]			Difference	Saving by Year [Accumulated/KVND]	Saving by Year [Accumulated/KVND]							
	NX DELUXE	R32 NON-INV	Difference			1	2	3	4	5	6	7	8
20,500/19,500	516	1,161	645	56%	20,500 / 19,500	1,851	3,701	5,552	7,402	9,253	11,103	12,954	14,804
24,200/26,000	809	1,553	745	48%	24,200 / 26,000	2,138	4,275	6,413	8,551	10,689	12,826	14,964	17,102
34,100/36,000	1,174	2,064	890	43%	34,100 / 36,000	2,556	5,111	7,667	10,222	12,778	15,333	17,889	20,444
42,700/42,000	1,537	2,260	723	32%	42,700 / 42,000	2,075	4,150	6,225	8,300	10,375	12,450	14,525	16,600
47,800/48,500	1,903	3,016	1,113	37%	47,800 / 48,500	3,196	6,392	9,588	12,784	15,981	19,177	22,373	25,569

* Annual energy consumption is calculated based on ISO16358-1 * Operating hours: 8 hours per day x 240 days = 1,920 hours
 * Electricity Bill: 2,871 VND/kWh, Viet Nam electricity * Contract for Commerce – service – residential building complex
 * Comparison between Inverter U-PS2 series and Non-inverter U-PV1 series

Operation Temperature

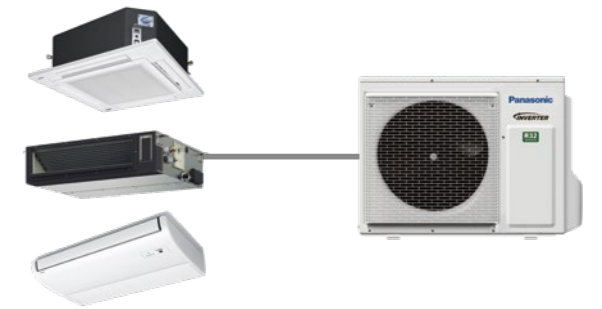
The operating range of the new NX series expanded up to outdoor air temperature of 52°C. Even in an extremely hot environment like Asian countries, they operate powerfully with its toughness.



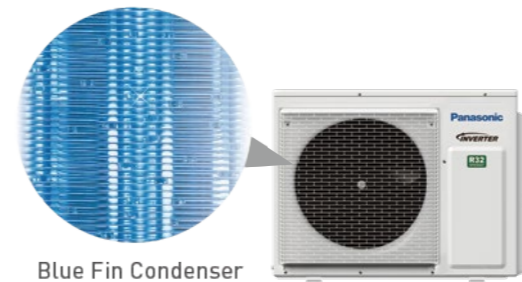
Long Piping Length

DELUXE series:
Up to 50 m in all capacity bands

STANDARD series:
5-30 m in 24,200 Btu or less/5-30 m in 29,000 Btu or less



Advantages for Outdoor Unit



Blue Fin Condenser



High Durability Outdoor Unit

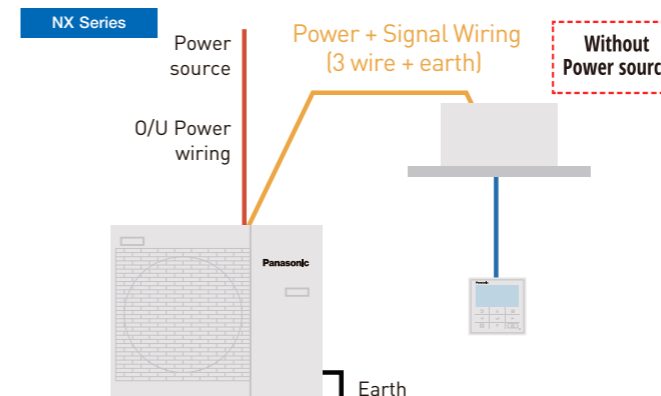
All Panasonic heat exchangers feature our Blue Fin technology, which offers enhanced corrosion resistance compared to non-Blue Fin models.

In-house manufactured compressor

Panasonic all in-house manufactured compressors are supplied to the world. The cumulative total of high-quality compressors in use has reached 580 million units*.

* As of September 2019. (In-house research)

Installation Instruction



3 Wire Method

This NX series has been developed with 3 wire method and communication.

R32 Non-inverter 4-Way Cassette



Industry-leading Powerful Airflow

The Turbo Fan with Twisted 3D Blades provides a large and powerful airflow to cool every corner of the room.

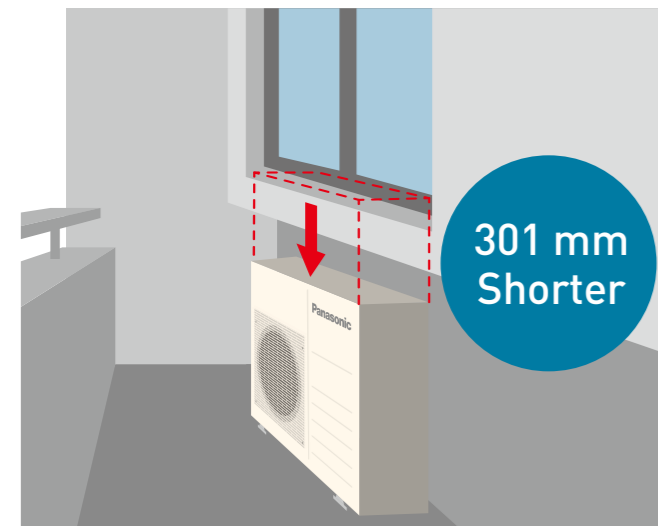
Average
30.7
m³/min

Capacity Class (k Btu/h)	18.5	25.0	30.0	36.0	42.0	48.5
Airflow Volume (m ³ /min)	25.0	25.0	25.0	36.4	36.4	36.4

More Efficient, Less Space

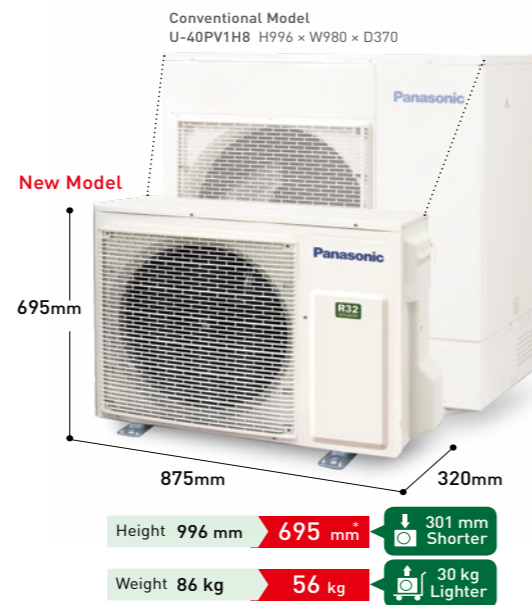
While maintaining its strong power, higher energy efficiency of R32, coupled with Panasonic's technology, the ingenious design allows for a more compact outdoor unit that fits into any space and layout.

Can be installed in the limited space



30–36k Btu/h Model

U-30PN1H5 / U-30PN1H8 / U-36PN1H8

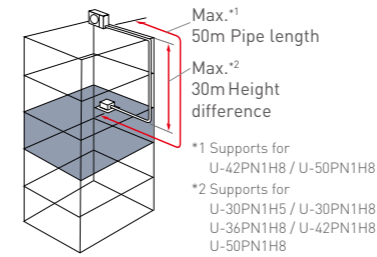


* Comparison between U-40PV1H8 and U-36PN1H8.
Note: Only for R32NonINV PN1 series

Installation

Long piping

The maximum chargeless piping length is 7.5m, but it can be extended up to 50m with additional gas charging for greater installation flexibility.



Piping length

BTU	19-25k	30-36k	42-50k
Max. Pipe Length	30 m	45 m	50 m
Max. Chargeless Length #	7.5 m	7.5 m	7.5 m
Max. Height Difference	20 m	30 m	30 m

Additional gas is required when pipe length is extended.

Easy installation design

For easier installation, the design allows space to use tools without damaging the interior. Also, by improving the bracket's shape into a V-shape, it is easier to hook the anchor bolts.



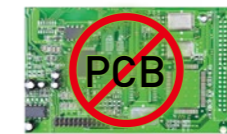
Maintenance

Service maintenance

• Single phase only.

The PCB inside the outdoor unit has been removed, allowing easy installation and service maintenance.

Supports for U-19PN1H5 U-25PN1H5 U-30PN1H5



Removed PCB to avoid interference



Remote Controller

Precise Control, Easy Comfort

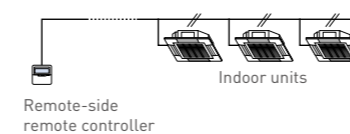
*Available for R32 Non-inv. PN1 series only.

Panasonic Single-split Packaged Air Conditioner Remote Controllers are designed with user convenience in mind. Multiple settings are available so airflow and air quality can be regulated according to preferences. Users can also opt for a wired remote controller equipped with a high-performance timer.



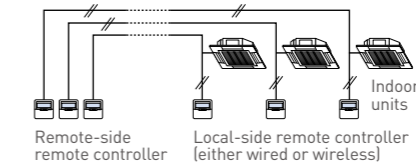
Settings can be regulated with 3 control options:

Group Control by a Single Wired Remote Controller



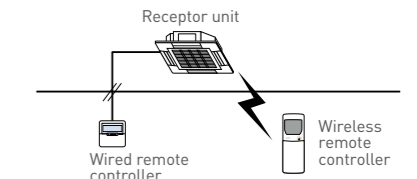
• All indoor units operate in the same mode.

Separate Control by Twin Wired Remote Controllers



• Each indoor unit can be operated by either of the two wired remote controllers.
• Apart from the timer setting time, the displays for the two wired remote controllers are identical.
• The last button pressed has priority. (The main or slave attribute is set with the wired remote controller)

Common Control by Both Wired and Wireless Remote Controllers



• The last button pressed has priority (using either wired or wireless remote controllers).

NX Series DELUXE 4-WAY CASSETTE NEW



TECHNICAL FOCUS

- With the further advanced air purification technology of nanoe™ X Generator Mark 3.
- Powerful industry-leading, 360° wide, comfortable airflow.
- The drain pump can pump water up to a height of 850 mm, making drain pipe layout easy.



Panel



CZ-KPU3H

Accessory



Packaged with Indoor unit

(Optional Wired Remote Controller)



CZ-RTC6W/6
CZ-RTC6WBL*/6BL*1 CZ-RTC6WBLW*/6BLW*2
*1 BL=BLE, *2 BLW=BLE&WLAN



CZ-RTC5B



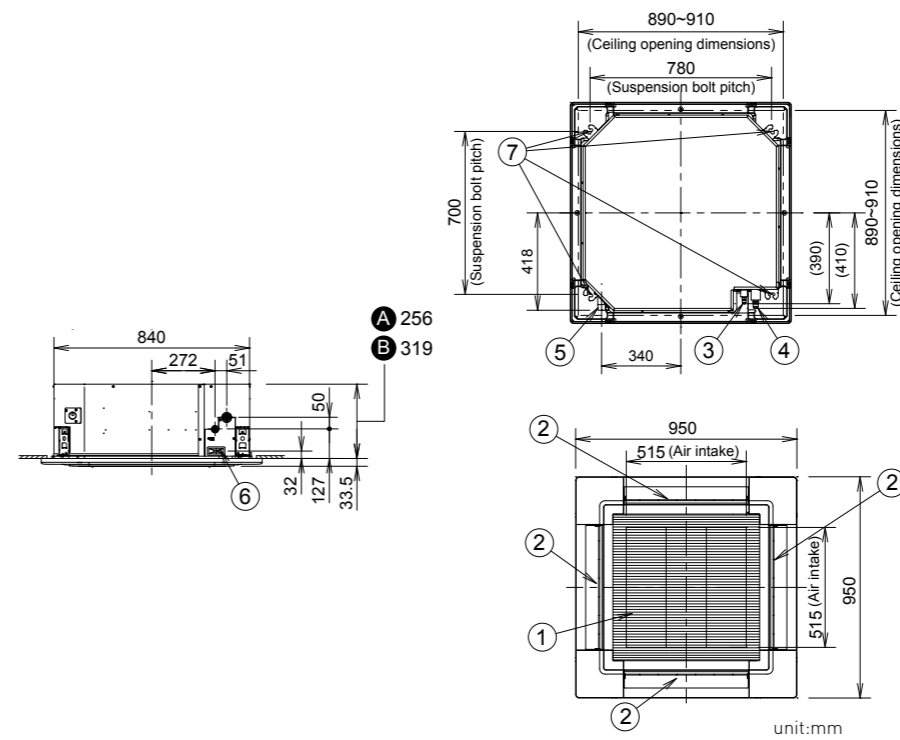
CZ-RTC4



CZ-CAPWFC1

[Optional Adaptor]
If not use
CZ-RTC6WBLW*/6BLW*2,
The adaptor also
can be used.

Dimensions



- Ⓐ S-1821PU3HA/S-2430PU3HA
- Ⓑ S-3448PU3HA

- ① Air intake
- ② Discharge outlet
- ③ Refrigerant tubing (liquid tube)
- ④ Refrigerant tubing (gas tube)
- ⑤ Drain tube connection port VP25 (outer dia. ø32)
- ⑥ Power supply port
- ⑦ Suspension bolt hole (4-12×30 elongated hole)

<Filter dimension> 520 x 520 x 15

Capacity [Btu/h(Phase)]		17,100	20,500	24,200	34,100	42,700	42,700(3)	47,800	47,800(3)	
Power Source	V/Phase Hz	220-240V, 1Ø Phase - 50Hz						380-415V, 3Ø Phase - 50Hz	220-240V, 1Ø Phase - 50Hz	380-415V, 3Ø Phase - 50Hz
Indoor Unit		S-1821PU3HA	S-1821PU3HA	S-2430PU3HA	S-3448PU3HA	S-3448PU3HA	S-3448PU3HA	S-3448PU3HA	S-3448PU3HA	
Outdoor Unit		U-18PRH1H5	U-21PRH1H5	U-24PRH1H5	U-34PRH1H5	U-43PRH1H5	U-43PRH1H8	U-48PRH1H5	U-48PRH1H8	
Panel		CZ-KPU3H	CZ-KPU3H	CZ-KPU3H	CZ-KPU3H	CZ-KPU3H	CZ-KPU3H	CZ-KPU3H	CZ-KPU3H	
Cooling Capacity: Rated (Min-Max)	kW	5.00 (2.00-6.00)	6.00 (2.00-6.30)	7.10 (2.10-8.00)	10.00 (3.80-11.20)	12.50 (3.80-14.00)	12.50 (3.80-14.00)	14.00 (5.30-15.50)	14.00 (5.30-15.50)	
	Btu/h	17,100 (6,820-20,500)	20,500 (6,820-21,500)	24,200 (7,170-27,300)	34,100 (13,000-38,200)	42,700 (13,000-47,800)	42,700 (13,000-47,800)	47,800 (18,100-52,900)	47,800 (18,100-52,900)	
Current: Rated (Max)	A	4.3-4.1 [9.1]	6.0-5.6 [11.0]	7.3-6.7 [12.0]	11.6-10.6 [25.5]	16.9-15.5 [26.0]	5.6-5.1 [10.5]	20.3-18.6 [28.0]	6.7-6.1 [11.5]	
Power Input: Rated (Min-Max)	kW	0.90 (0.26-1.35)	1.27 (0.26-1.65)	1.57 (0.28-2.25)	2.35 (0.62-3.00)	3.42 (0.63-4.10)	3.42 (0.63-4.10)	4.10 (0.96-4.90)	4.10 (0.96-4.90)	
CSPF		7.50	7.10	6.80	6.60	6.30	6.30	5.70	5.70	
COP/EER	W/W	5.56	4.72	4.52	4.26	3.65	3.65	3.41	3.41	
	Btu/hW	19.00	16.14	15.41	14.51	12.49	12.49	11.66	11.66	
Indoor Unit										
Air Volume	m³/min	25.0	25.0	25.0	36.4	36.4	36.4	36.4	36.4	
	cfm	882	882	882	1,285	1,285	1,285	1,285	1,285	
Sound Pressure Level (Hi/Lo)	dB (A)	42 / 35	42 / 35	42 / 35	47 / 41	47 / 41	47 / 41	47 / 41	47 / 41	
Sound Power Level (Hi/Lo)	dB	57 / 50	57 / 50	57 / 50	62 / 56	62 / 56	62 / 56	62 / 56	62 / 56	
Dimension	Indoor (H×W×D)	mm	256 x 840 x 840	256 x 840 x 840	256 x 840 x 840	319 x 840 x 840	319 x 840 x 840	319 x 840 x 840	319 x 840 x 840	
	Panel (H×W×D)	mm	44 x 950 x 950	44 x 950 x 950	44 x 950 x 950	44 x 950 x 950	44 x 950 x 950	44 x 950 x 950	44 x 950 x 950	
Net Weight	Indoor	kg	21	21	21	24	24	24	24	
	Panel	kg	5	5	5	5	5	5	5	
Outdoor Unit										
Sound Pressure Level	dB (A)	50	51	53	54	57	57	58	58	
Sound Power Level	dB	69	70	72	73	76	76	77	77	
Dimension	Outdoor (H×W×D)	mm	695 x 875 x 320	695 x 875 x 320	695 x 875 x 320	996 x 980 x 370	996 x 980 x 370	996 x 980 x 370	996 x 980 x 370	
Net Weight		kg	39	39	39	69	67	75	73	
Piping Connection	Gas Pipe	mm (inch)	12.70 (1/2)	12.70 (1/2)	15.88 (5/8)	15.88 (5/8)	15.88 (5/8)	15.88 (5/8)	15.88 (5/8)	
	Liquid Pipe	mm (inch)	6.35 (1/4)	6.35 (1/4)	9.52 (3/8)	9.52 (3/8)	9.52 (3/8)	9.52 (3/8)	9.52 (3/8)	
Pipe Length	Min-Max	m	5 - 50	5 - 50	5 - 50	5 - 50	5 - 50	5 - 50	5 - 50	
Elevation Difference		m	30	30	30	30	30	30	30	
Maximum Chargeless Length	Max	m	30	30	30	30	30	30	30	
Additional Gas		g/m	15	15	25	25	25	25	25	
Operation Range, Outdoor	Min-Max	°C	16-52	16-52	16-52	16-52	16-52	16-52	16-52	

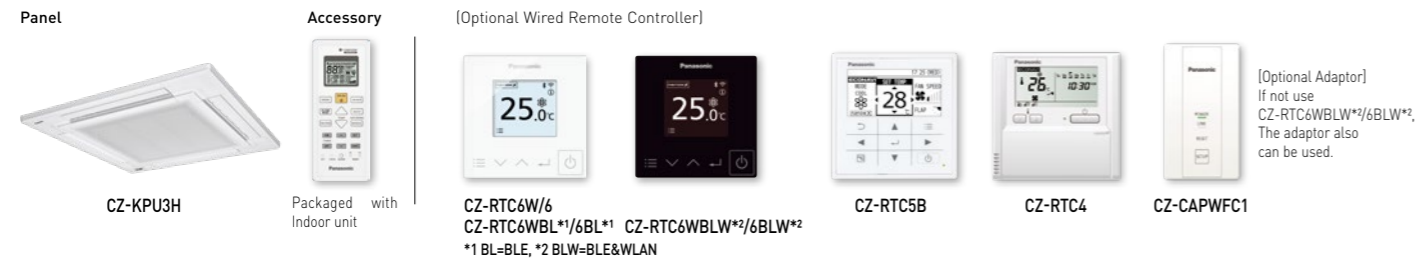
* Specifications are subject to change without notice. Please refer to technical documents for more details. * The sound pressure level is measured in accordance with JIS C 9612 and JIS B 8616.

NX Series STANDARD 4-WAY CASSETTE

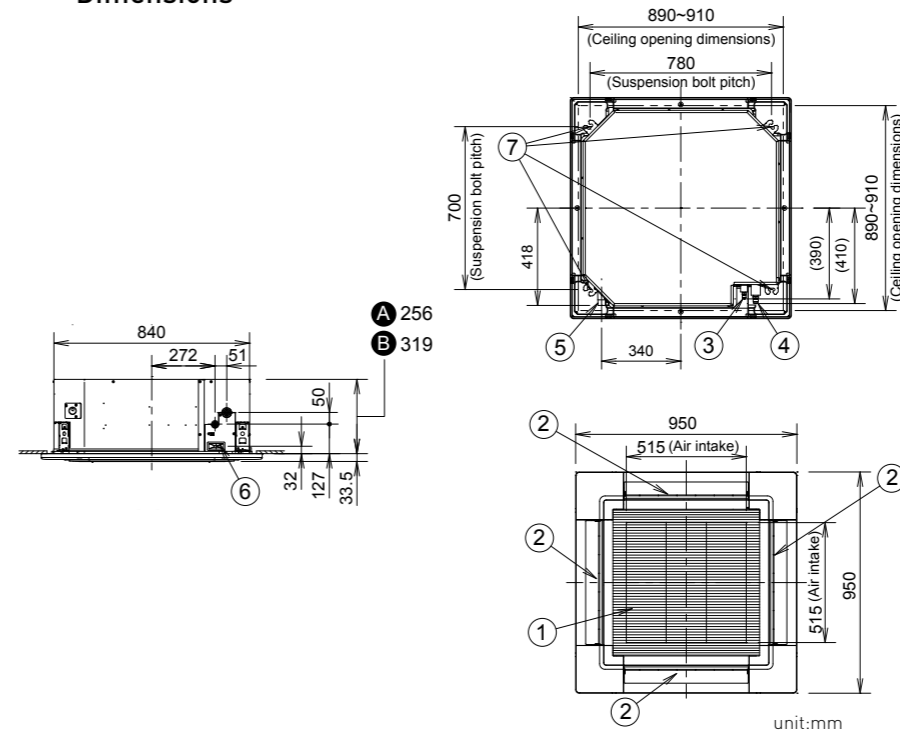


TECHNICAL FOCUS

- Industry-leading Powerful, 360° Wide & Comfortable Airflow.
- Individual flap control for true-comfort.
- The drain pump can pump water up to a height of 850 mm, making drain pipe layout easy.



Dimensions



- A** S-1821PU3H/S-2430PU3H
B S-3448PU3H
- ① Air intake
 - ② Discharge outlet
 - ③ Refrigerant tubing (liquid tube)
 - ④ Refrigerant tubing (gas tube)
 - ⑤ Drain tube connection port VP25 (outer dia. ø32)
 - ⑥ Power supply port
 - ⑦ Suspension bolt hole (4-12×30 elongated hole)

<Filter dimension> 520 x 520 x 15

Capacity [Btu/h(Phase)]		17,100	20,500	24,200	29,000	34,100	42,700	42,700 (3)	47,800	47,800(3)	
Power Source	V/Phase Hz	220-240V, 1Ø Phase - 50Hz						380-415V, 3Ø Phase - 50Hz	220-240V, 1Ø Phase - 50Hz	380-415V, 3Ø Phase - 50Hz	
Indoor		S-1821PU3H	S-1821PU3H	S-2430PU3H	S-2430PU3H	S-3448PU3H	S-3448PU3H	S-3448PU3H	S-3448PU3H	S-3448PU3H	
Outdoor		U-18PR1H5	U-21PR1H5	U-24PR1H5	U-30PR1H5	U-34PR1H5	U-43PR1H5	U-43PR1H8	U-48PR1H5	U-48PR1H8	
Panel		CZ-KPU3H	CZ-KPU3H	CZ-KPU3H	CZ-KPU3H	CZ-KPU3H	CZ-KPU3H	CZ-KPU3H	CZ-KPU3H	CZ-KPU3H	
Cooling Capacity: Rated (Min-Max)	kW	5.00 [2.00-5.60]	6.00 [2.00-6.30]	7.10 [2.10-8.00]	8.50 [2.10-10.00]	10.00 [3.20-11.20]	12.50 [3.80-14.00]	12.50 [3.80-14.00]	14.00 [3.80-14.71]	14.00 [3.80-14.71]	
	Btu/h	17,100 [6,820-19,100]	20,500 [6,820-21,500]	24,200 [7,170-27,300]	29,000 [7,170-34,100]	34,100 [10,900-38,200]	42,700 [13,000-47,800]	42,700 [13,000-47,800]	47,800 [13,000-50,200]	47,800 [13,000-50,200]	
Current: Rated (Max)	A	5.5-5.2 (9.1)	8.0-7.5 (11.0)	9.2-8.5 (12.0)	11.7-10.7 (15.5)	15.0-13.7 (16.5)	18.5-16.9 (26.0)	6.1-5.6 (10.5)	23.9-21.9 (28.0)	7.9-7.2 (11.0)	
Power Input: Rated (Min-Max)	kW	1.14 [0.38-1.50]	1.71 [0.38-2.10]	1.99 [0.30-2.26]	2.52 [0.28-3.33]	3.23 [0.61-3.73]	3.74 [0.63-4.25]	3.74 [0.63-4.25]	4.83 [0.63-5.10]	4.83 [0.63-5.10]	
CSPF		6.27	5.89	6.08	5.97	5.89	5.80	5.80	5.23	5.23	
COP/EER	W/W	4.39	3.51	3.57	3.37	3.10	3.34	3.34	2.90	2.90	
	Btu/hW	15.00	11.99	12.16	11.51	10.56	11.42	11.42	9.90	9.90	
Indoor Unit											
Air Volume	m³/min	25.0	25.0	25.0	25.0	36.4	36.4	36.4	36.4	36.4	
	cfm	882	882	882	882	1,285	1,285	1,285	1,285	1,285	
Sound Pressure Level (Hi/Lo)	dB (A)	42 / 35	42 / 35	42 / 35	42 / 35	47 / 41	47 / 41	47 / 41	47 / 41	47 / 41	
Sound Power Level (Hi/Lo)	dB	57 / 50	57 / 50	57 / 50	57 / 50	62 / 56	62 / 56	62 / 56	62 / 56	62 / 56	
Dimension	Indoor (HxWxD)	mm	256 x 840 x 840	256 x 840 x 840	256 x 840 x 840	256 x 840 x 840	319 x 840 x 840	319 x 840 x 840	319 x 840 x 840	319 x 840 x 840	
	Panel (HxWxD)	mm	44 x 950 x 950	44 x 950 x 950	44 x 950 x 950	44 x 950 x 950	44 x 950 x 950	44 x 950 x 950	44 x 950 x 950	44 x 950 x 950	
Net Weight	Indoor	kg	21	21	21	21	24	24	24	24	
	Panel	kg	5	5	5	5	5	5	5	5	
Outdoor											
Sound Pressure Level	dB (A)	49	50	51	53	55	57	57	58	58	
Sound Power Level	dB	68	69	70	72	74	76	76	77	77	
Dimension	Outdoor (HxWxD)	mm	619 x 824 x 299	619 x 824 x 299	619 x 824 x 299	695 x 875 x 320	695 x 875 x 320	996 x 980 x 370	996 x 980 x 370	996 x 980 x 370	
Net Weight		kg	29	29	33	39	48	68	67	67	
Piping Connection	Gas Pipe	mm (inch)	12.70 [1/2]	12.70 [1/2]	15.88 [5/8]	15.88 [5/8]	15.88 [5/8]	15.88 [5/8]	15.88 [5/8]	15.88 [5/8]	
	Liquid Pipe	mm (inch)	6.35 [1/4]	6.35 [1/4]	9.52 [3/8]	9.52 [3/8]	9.52 [3/8]	9.52 [3/8]	9.52 [3/8]	9.52 [3/8]	
Pipe Length	Min-Max	m	5 - 30	5 - 30	5 - 30	5 - 50	5 - 50	5 - 50	5 - 50	5 - 50	
Elevation Difference		m	20	20	20	30	30	30	30	30	
Maximum Chargeless Length	Max	m	10	10	10	30	30	30	30	30	
Additional Gas		g/m	15	15	15	25	25	25	25	25	
Operation Range, Outdoor	Min-Max	°C	16-46	16-46	16-46	16-46	16-46	16-46	16-46	16-46	

* Specifications are subject to change without notice. Please refer to technical documents for more details. * The sound pressure level is measured in accordance with JIS C 9612 and JIS B 8616.
* STANDARD series indoor units can only be connected to outdoor units of the same series. * CZ-CAPWFC1 is a WLAN smart adaptor for connecting to the Comfort Cloud app.

4-WAY CASSETTE



TECHNICAL FOCUS

- nanoe™ X equipped as standard
- Compact design
- Low sound levels
- DC fan motor for increased efficiency
- Powerful drain pump gives 850 mm lift
- Lightweight design



Panel



CZ-KPU3H

Accessories

(Selectable Remote Controller)



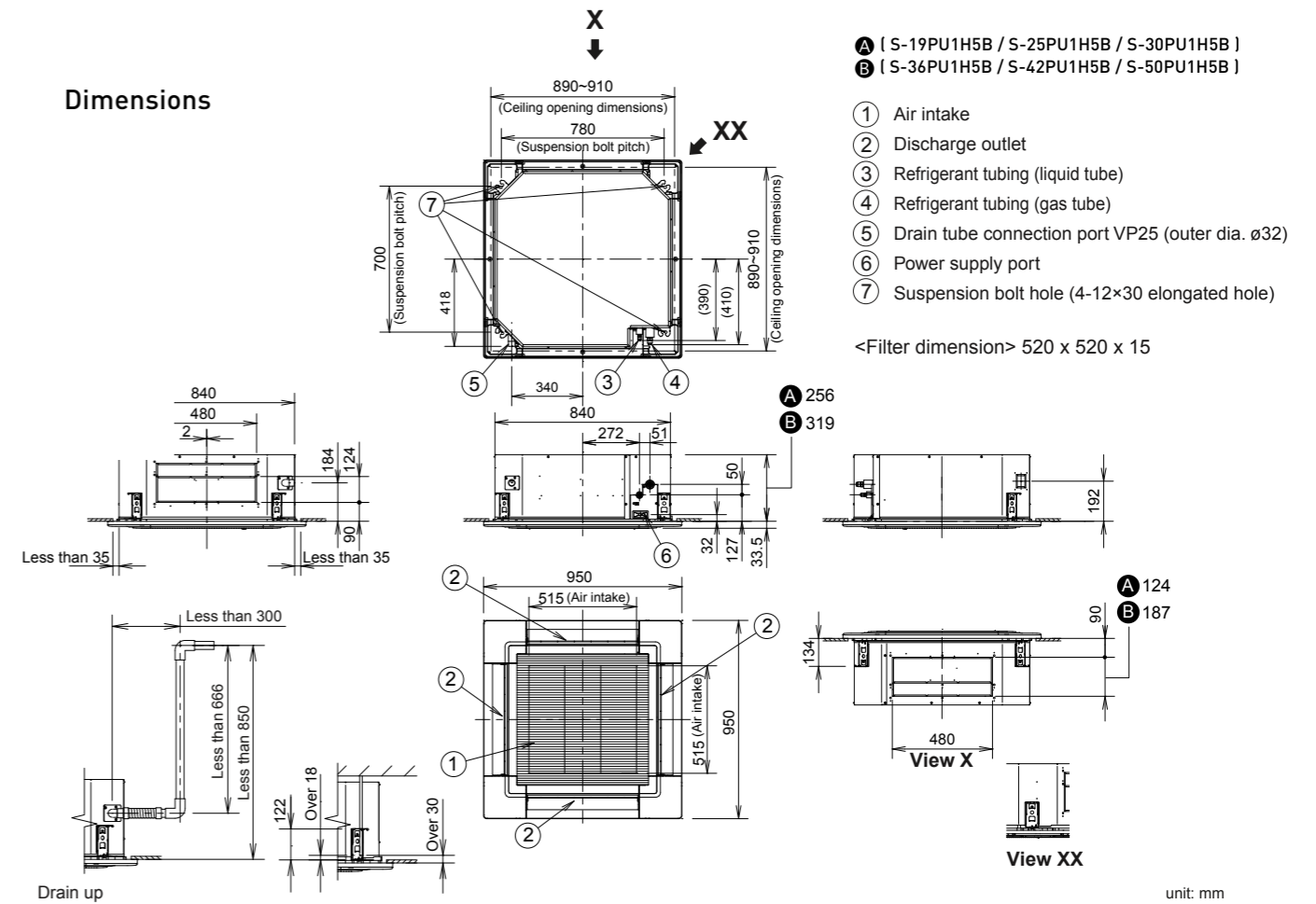
Packaged with Indoor unit

(Optional Wired Remote Controller)



CZ-RD513C (Optional)

Dimensions



- Ⓐ (S-19PU1H5B / S-25PU1H5B / S-30PU1H5B)
- Ⓑ (S-36PU1H5B / S-42PU1H5B / S-50PU1H5B)

- 1 Air intake
- 2 Discharge outlet
- 3 Refrigerant tubing (liquid tube)
- 4 Refrigerant tubing (gas tube)
- 5 Drain tube connection port VP25 (outer dia. ø32)
- 6 Power supply port
- 7 Suspension bolt hole (4-12×30 elongated hole)

<Filter dimension> 520 x 520 x 15

unit: mm

* Adjust the suspension bolt length so that the gap from the lower ceiling surface becomes 30 mm or more (18 mm or more from the lower surface of the body) as shown in the figure. When the suspension bolt length is long, it hits the ceiling panel and installation is not possible.

Capacity [Btu/h]		18,500	25,000	30,000	30,000	36,000	42,000	48,500
Power Source	V/Phase Hz	220-240 V, 1Ø Phase - 50 Hz			380-415 V, 3Ø Phase - 50 Hz			
Indoor		S-19PU1H5B	S-25PU1H5B	S-30PU1H5B	S-30PU1H5B	S-36PU1H5B	S-42PU1H5B	S-50PU1H5B
Outdoor		U-19PN1H5	U-25PN1H5	U-30PN1H5	U-30PN1H8	U-36PN1H8	U-42PN1H8	U-50PN1H8
Panel		CZ-KPU3H	CZ-KPU3H	CZ-KPU3H	CZ-KPU3H	CZ-KPU3H	CZ-KPU3H	CZ-KPU3H
Cooling Capacity: Rated	kW	5.42	7.33	8.79	8.79	10.55	12.31	14.21
	Btu/h	18,500	25,000	30,000	30,000	36,000	42,000	48,500
Current	A	7.1-6.5	9.6-8.8	13.5-13.2	4.5-4.3	4.9-4.6	5.4-5.3	7.4-7.6
Power Input: Rated	kW	1.52	2.07	2.85	2.57	2.83	3.10	4.14
COP/EER	W/W	3.57	3.54	3.08	3.42	3.73	3.97	3.43
	Btu/hW	12.17	12.08	10.53	11.67	12.72	13.55	11.71
Indoor Unit								
Air Volume	m³/min	25.0	25.0	25.0	25.0	36.4	36.4	36.4
	cfm	882	882	882	882	1,285	1,285	1,285
Sound Pressure Level (Hi/Lo)	dB (A)	42/35	42/35	42/35	42/35	47/41	47/41	47/41
Sound Power Level (Hi/Lo)	dB	57/50	57/50	57/50	57/50	62/56	62/56	62/56
Dimension	Indoor (H×W×D)	mm	256 × 840 × 840	256 × 840 × 840	256 × 840 × 840	319 × 840 × 840	319 × 840 × 840	319 × 840 × 840
	Panel (H×W×D)	mm	33.5 × 950 × 950	33.5 × 950 × 950	33.5 × 950 × 950	33.5 × 950 × 950	33.5 × 950 × 950	33.5 × 950 × 950
Net Weight	Indoor	kg	21	21	21	24	24	24
	Panel	kg	5	5	5	5	5	5
Outdoor Unit								
Sound Pressure Level	dB (A)	50	52	54	54	55	58	58
Sound Power Level	dB	66	68	69	69	70	72	72
Dimension	Outdoor (H×W×D)	mm	619 × 824 × 299	619 × 824 × 299	695 × 875 × 320	695 × 875 × 320	695 × 875 × 320	996 × 980 × 370
Net Weight		kg	36	42	56	56	75	78
Piping Connection	Gas Pipe	mm (inch)	12.70 (1/2)	12.70 (1/2)	15.88 (5/8)	15.88 (5/8)	15.88 (5/8)	15.88 (5/8)
	Liquid Pipe	mm (inch)	6.35 (1/4)	6.35 (1/4)	9.52 (3/8)	9.52 (3/8)	9.52 (3/8)	9.52 (3/8)
Pipe Length	Min-Max	m	7.5 - 30	7.5 - 30	7.5 - 45	7.5 - 45	7.5 - 50	7.5 - 50
Elevation Difference		m	20	20	30	30	30	30
Maximum Chargeless Length	Max	m	7.5	7.5	7.5	7.5	7.5	7.5
Refrigerant Type/Additional Gas		g/m	R32/15	R32/15	R32/25	R32/25	R32/25	R32/25
Operating Range, Outdoor	Min-Max	°C	16-43	16-43	16-43	16-43	16-43	16-43

*Specifications are subject to change without notice. Please refer to technical documents for more details.

*The sound pressure level is measured in accordance with JIS C 9612 and JIS B 8616.

MINI CASSETTE



TECHNICAL FOCUS

- 4-Way Airflow System
- LCD Wireless Remote Controller
- Random Auto Restart
- Removable Washable Panel
- 24 Hours Real On Off Timer
- Dew Prevention Control
- Anti Freezing Control



Panel



CZ-BT20EW

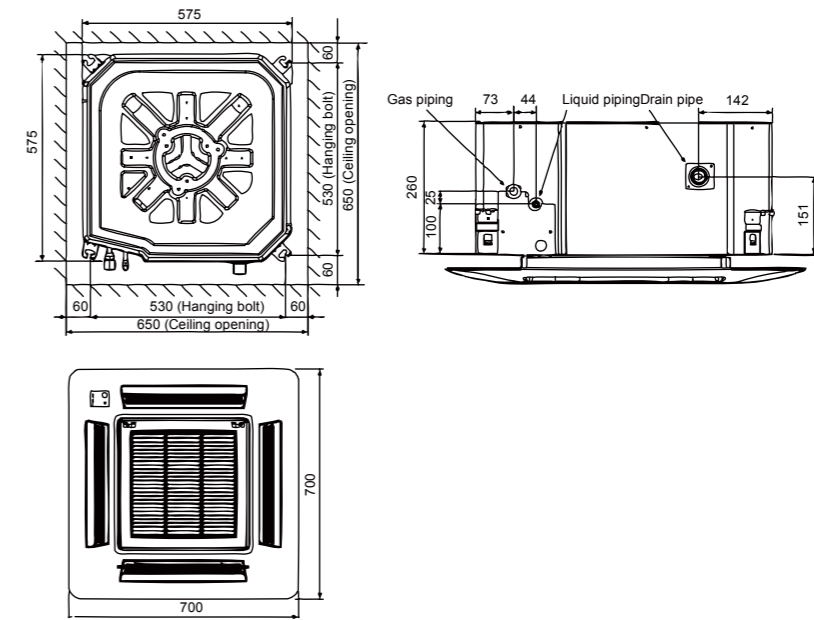
Accessory

(Wireless Remote Controller)

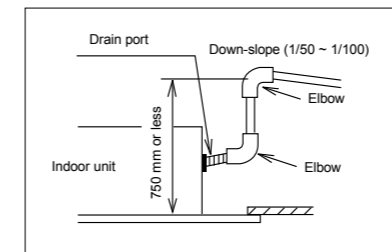


Packaged with Indoor unit

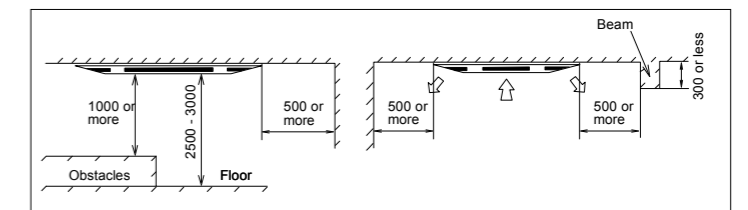
Dimensions



When raising the drain head above the unit



Required space for installation



unit:mm

Capacity [Btu/h]		11,600	16,000	19,400
Power Source	V/Phase Hz	220-240 V, 1Ø Phase - 50 Hz		
Indoor		CS-S12MB4ZW	CS-S18MB4ZW	CS-S24MB4ZW
Outdoor		CU-S12MBZ	CU-S18MBZ	CU-S24MBZ
Panel		CB-BT20EW-1	CB-BT20EW-1	CB-BT20EW-1
Cooling Capacity: Rated (Min-Max)	kW	3.40 [0.93-4.40]	4.70 [0.98-5.60]	5.70 [0.98-6.60]
	Btu/h	11,600 [3,170-15,000]	16,000 [3,340-19,100]	19,400 [3,340-22,500]
Current: Rated	A	4.8-4.5	6.3-5.9	8.5-7.9
Power Input: Rated (Min-Max)	kW	0.98 [0.26-1.33]	1.34 [0.27-1.65]	1.82 [0.30-2.15]
	W/W	3.47	3.51	3.13
COP / EER		11.84	11.94	10.66
	Btu/hW			
Indoor Unit				
Air Volume	m ³ /min	10.5	11.3	12.8
Sound Pressure Level* (Hi/Lo/Q-Lo)	dB (A)	34 / 26 / 23	38 / 28 / 25	41 / 33 / 30
Dimension	Indoor (H×W×D)	mm	260 × 575 × 575	260 × 575 × 575
	Panel (H×W×D)	mm	51 × 700 × 700	51 × 700 × 700
Net Weight	Indoor	kg	18.0	18.0
	Panel	kg	2.5	2.5
Outdoor Unit				
Sound Pressure Level (Hi)	dB (A)	47-48	49-50	49-50
Dimension	Outdoor (H×W×D)	mm	540 × 780 × 289	695 × 875 × 320
Net Weight		kg	31.0	44.0
Piping Connection	Gas Pipe	mm (inch)	12.70 [1/2]	12.70 [1/2]
	Liquid Pipe	mm (inch)	6.35 [1/4]	6.35 [1/4]
Pipe Length	Min-Max	m	3.0-15.0	3.0-20.0
Elevation Difference		m	15.0	15.0
Maximum Chargeless Length	Max	m	7.5	10.0
Additional Gas		g/m	15	20
Operating Range, Outdoor	Min-Max	°C	16-43	16-43

Please refer to technical documents for more details.

NX Series DELUXE ADAPTIVE DUCTED NEW

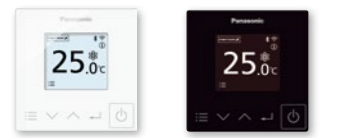


TECHNICAL FOCUS

- Air intake from rear as standard. Industry-leading horizontal and vertical design.
- Powerful 150Pa ESP and space saving 250 mm height, filter included.
- Built-in Drain pump and selectable air inlet position (bottom and rear).

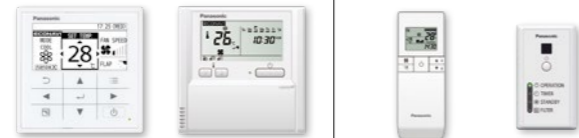
Accessories

(Selectable Remote Controller)



CZ-RTC6W/6
CZ-RTC6WBL*/6BL*1 CZ-RTC6WBLW*/6BLW*2
*1 BL=BLE, *2 BLW=BLE&WLAN

(Optional Wireless Remote Controller)



CZ-RTC5B CZ-RTC4

(Optional Adaptor)



CZ-CAPWFC1

If not use CZ-RTC6WBLW*/6BLW*2, The adaptor also can be used.

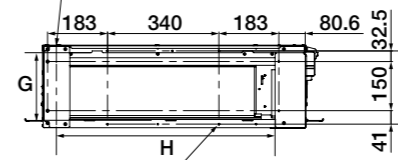


Dimensions S-1821PF3H/S-2430PF3H/S-3448PF3H

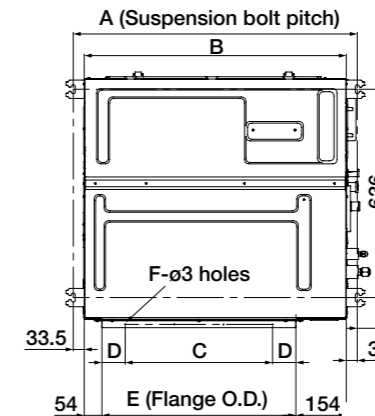
Detailed dimensions of indoor unit

Type	A mm	B mm	C mm	D mm	E mm	F Qty	G mm	H mm
1821	867	800	450 (Pitch 150 x 3)	71	592	12	204	683
2430	1,067	1,000	750 (Pitch 150 x 5)	21	792	16	204	883
3448	1,467	1,400	1,050 (Pitch 150 x 7)	71	1,192	20	204	1,283

Note: Please remove cover plate for Dimension H (only for 1821 type).



Note: For 1821 type : 8-φ3.2 hole for M4 self-tapping screw.
For 2430 type: 12-φ3.2 hole for M4 self-tapping screw.
For 3448 type: 14-φ3.2 hole for M4 self-tapping screw.



unit:mm

Capacity [Btu/h]		17,100	20,500	24,200	34,100	42,700	42,700(3)	47,800	47,800(3)	
Power Source	V/Phase Hz	220-240V, 1Ø Phase - 50Hz						380-415V, 3Ø Phase - 50Hz	220-240V, 1Ø Phase - 50Hz	380-415V, 3Ø Phase - 50Hz
Indoor Unit		S-1821PF3H	S-1821PF3H	S-2430PF3H	S-3448PF3H	S-3448PF3H	S-3448PF3H	S-3448PF3H	S-3448PF3H	
Outdoor Unit		U-18PRH1H5	U-21PRH1H5	U-24PRH1H5	U-34PRH1H5	U-43PRH1H5	U-43PRH1H5	U-48PRH1H5	U-48PRH1H5	
Cooling Capacity : Rated (Min-Max)	kW	5.00 (1.60-6.00)	6.00 (1.60-6.30)	7.10 (1.80-8.00)	10.00 (3.80-11.20)	12.50 (3.80-14.00)	12.50 (3.80-14.00)	14.00 (5.30-15.50)	14.00 (5.30-15.50)	
	Btu/h	17,100 (5,460-20,500)	20,500 (5,460-21,500)	24,200 (6,140-27,300)	34,100 (13,000-38,200)	42,700 (13,000-47,800)	42,700 (13,000-47,800)	47,800 (18,100-52,900)	47,800 (18,100-52,900)	
Current: Rated (Max)	A	5.6-5.3 [9.1]	7.4-6.9 [11.0]	8.3-7.7 [12.0]	11.9-10.9 [25.5]	17.7-16.3 [26.0]	17.7-16.3 [10.5]	21.4-19.7 [28.0]	7.1-6.5 [11.5]	
Power Input: Rated (Min-Max)	kW	1.16 (0.24-1.55)	1.58 (0.24-1.80)	1.80 (0.30-2.35)	2.40 (0.65-3.08)	3.59 (0.65-4.35)	3.59 (0.65-4.35)	4.34 (0.96-5.15)	4.34 (0.96-5.15)	
CSPF		5.90	5.60	6.10	6.40	5.45	5.45	5.55	5.55	
COP/EER	W/W	4.31	3.8	3.94	4.17	3.48	3.48	3.23	3.23	
	Btu/hW	14.74	12.97	13.44	14.51	11.89	11.89	11.01	11.01	
Indoor Unit										
Air Volume	m³/min	16.0	16.0	21.0	36.0	36.0	36.0	36.0	36.0	
	cfm	565	565	740	1,270	1,270	1,270	1,270	1,270	
External static pressure	Pa	30 (10-150)	30 (10-150)	30 (10-150)	50 (10-150)	50 (10-150)	50 (10-150)	50 (10-150)	50 (10-150)	
Sound Pressure Level (Hi/Lo)	dB (A)	35 / 29	35 / 29	35 / 29	40 / 30	40 / 30	40 / 30	40 / 30	40 / 30	
Sound Power Level (Hi/Lo)	dB	58 / 52	58 / 52	58 / 52	63 / 53	63 / 53	63 / 53	63 / 53	63 / 53	
Dimension	Indoor (H×W×D)	mm	250 x 800 x 730	250 x 800 x 730	250 x 1,000 x 730	250 x 1,400 x 730	250 x 1,400 x 730	250 x 1,400 x 730	250 x 1,400 x 730	
Net Weight	Indoor	kg	25	25	30	39	39	39	39	
Outdoor Unit										
Sound Pressure Level	dB (A)	50	51	53	54	57	57	58	58	
Sound Power Level	dB	69	70	72	73	76	76	77	77	
Dimension	Outdoor (H×W×D)	mm	695 x 875 x 320	695 x 875 x 320	695 x 875 x 320	996 x 980 x 370	996 x 980 x 370	996 x 980 x 370	996 x 980 x 370	
Net Weight		kg	39	39	39	69	67	75	73	
Piping Connection	Gas Pipe	mm (inch)	12.70 (1/2)	12.70 (1/2)	15.88 (5/8)	15.88 (5/8)	15.88 (5/8)	15.88 (5/8)	15.88 (5/8)	
	Liquid Pipe	mm (inch)	6.35 (1/4)	6.35 (1/4)	9.52 (3/8)	9.52 (3/8)	9.52 (3/8)	9.52 (3/8)	9.52 (3/8)	
Pipe Length	Min-Max	m	5 - 50	5 - 50	5 - 50	5 - 50	5 - 50	5 - 50	5 - 50	
Elevation Difference		m	30	30	30	30	30	30	30	
Maximum Chargeless Length	Max	m	30	30	30	30	30	30	30	
Additional Gas		g/m	15	15	25	25	25	25	25	
Operation Range, Outdoor	Min-Max	°C	16-52	16-52	16-52	16-52	16-52	16-52	16-52	

* Specifications are subject to change without notice. Please refer to technical documents for more details. * The sound pressure level is measured in accordance with JIS C 9612 and JIS B 8616.
* STANDARD series indoor units can only be connected to outdoor units of the same series. * CZ-CAPWFC1 is a WLAN smart adaptor for connecting to the Comfort Cloud app.

NX Series STANDARD ADAPTIVE DUCTED

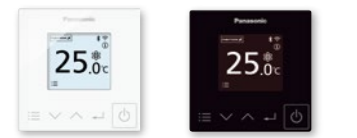


TECHNICAL FOCUS

- Air intake from rear as standard. Industry-leading horizontal and vertical design.
- Powerful 150Pa ESP and space saving 250 mm height, filter included.
- Built-in Drain pump and selectable air inlet position (bottom and rear).

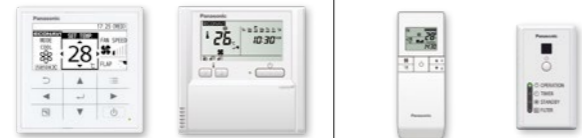
Accessories

(Selectable Remote Controller)



CZ-RTC6W/6
CZ-RTC6WBL*/6BL*1 CZ-RTC6WBLW*/6BLW*2
*1 BL=BLE, *2 BLW=BLE&WLAN

(Optional Wireless Remote Controller)



CZ-RTC5B CZ-RTC4

(Optional Adaptor)



CZ-CAPWFC1

If not use CZ-RTC6WBLW*/6BLW*2, The adaptor also can be used.

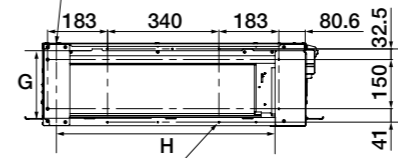


Dimensions S-1821PF3H/S-2430PF3H/S-3448PF3H

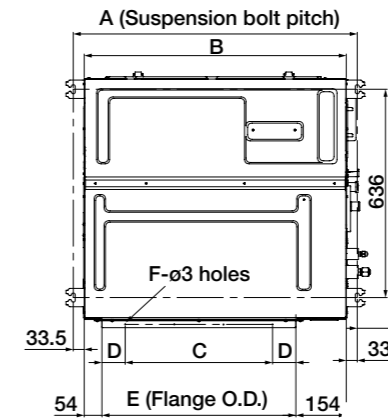
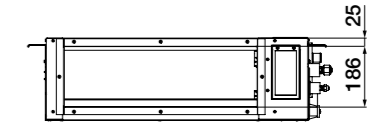
Detailed dimensions of indoor unit

Type	A mm	B mm	C mm	D mm	E mm	F Q'ty	G mm	H mm
1821	867	800	450 (Pitch 150 × 3)	71	592	12	204	683
2430	1,067	1,000	750 (Pitch 150 × 5)	21	792	16	204	883
3448	1,467	1,400	1,050 (Pitch 150 × 7)	71	1,192	20	204	1,283

Note: Please remove cover plate for Dimension H (only for 1821 type).



Note: For 1821 type : 8-φ3.2 hole for M4 self-tapping screw.
For 2430 type : 12-φ3.2 hole for M4 self-tapping screw.
For 3448 type : 14-φ3.2 hole for M4 self-tapping screw.



unit:mm

Capacity [Btu/h]		17,100	20,500	24,200	27,600	34,100	42,700	42,700 (3)	47,000	47,000(3)
Power Source	V/Phase Hz	220-240V, 1Ø Phase - 50Hz								
Indoor Unit		S-1821PF3H	S-1821PF3H	S-2430PF3H	S-2430PF3H	S-3448PF3H	S-3448PF3H	S-3448PF3H	S-3448PF3H	S-3448PF3H
Outdoor Unit		U-18PR1H5	U-21PR1H5	U-24PR1H5	U-30PR1H5	U-34PR1H5	U-43PR1H5	U-43PR1H5	U-48PR1H5	U-48PR1H5
Cooling Capacity: Rated (Min-Max)	kW	5.00 (2.00-5.60)	6.00 (2.00-6.30)	7.10 (2.00-7.60)	8.10 (2.00-8.90)	10.00 (3.20-11.20)	12.50 (3.80-13.50)	12.50 (3.80-13.50)	13.77 (3.80-14.20)	13.77 (3.80-14.20)
	Btu/h	17,100 (6,820-19,100)	20,500 (6,820-21,500)	24,200 (6,820-25,900)	27,600 (6,820-30,400)	34,100 (10,900-38,200)	42,700 (13,000-46,100)	42,700 (13,000-46,100)	47,000 (13,000-48,500)	47,000 (13,000-48,500)
Current: Rated (Max)	A	7.2-6.8 (9.1)	9.1-8.6 (11.0)	10.5-9.7 (12.0)	12.1-11.1 (15.5)	14.5-13.3 (16.5)	19.6-17.9 (26.0)	6.5-5.9 (10.5)	23.6-21.6 (28.0)	7.8-7.1 (11.0)
Power Input: Rated (Min-Max)	kW	1.54 (0.41-1.75)	1.95 (0.41-2.30)	2.27 (0.34-2.48)	2.60 (0.33-2.90)	3.12 (0.59-3.65)	3.96 (0.65-4.35)	3.96 (0.65-4.35)	4.77 (0.65-4.95)	4.77 (0.65-4.95)
CSPF		5.02	4.65	5.21	5.21	4.74	5.02	5.02	4.74	4.74
COP/EER	W/W	3.25	3.08	3.13	3.12	3.21	3.16	3.16	2.89	2.89
	Btu/hW	11.10	10.51	10.66	10.62	10.93	10.78	10.78	9.85	9.85
Indoor Unit										
Air Volume	m ³ /min	16.0	16.0	21.0	21.0	36.0	36.0	36.0	36.0	36.0
	cfm	565	565	740	740	1,270	1,270	1,270	1,270	1,270
External static pressure	Pa	30 (10-150)	30 (10-150)	30 (10-150)	30 (10-150)	50 (10-150)	50 (10-150)	50 (10-150)	50 (10-150)	50 (10-150)
Sound Pressure Level (Hi/Lo)	dB (A)	35 / 29	35 / 29	35 / 29	35 / 29	40 / 30	40 / 30	40 / 30	40 / 30	40 / 30
Sound Power Level (Hi/Lo)	dB	58 / 52	58 / 52	58 / 52	58 / 52	63 / 53	63 / 53	63 / 53	63 / 53	63 / 53
Dimension	Indoor (HxWxD)	mm	250 x 800 x 730	250 x 800 x 730	250 x 1,000 x 730	250 x 1,400 x 730	250 x 1,400 x 730	250 x 1,400 x 730	250 x 1,400 x 730	250 x 1,400 x 730
Net Weight	Indoor	kg	25	25	30	30	39	39	39	39
Outdoor Unit										
Sound Pressure Level	dB (A)	50	51	51	53	55	57	57	58	58
Sound Power Level	dB	69	70	70	72	74	76	76	77	77
Dimension	Outdoor (HxWxD)	mm	619 x 824 x 299	619 x 824 x 299	619 x 824 x 299	695 x 875 x 320	695 x 875 x 320	996 x 980 x 370	996 x 980 x 370	996 x 980 x 370
Net Weight		kg	29	29	33	39	48	68	67	67
Piping Connection	Gas Pipe	mm (inch)	12.70 (1/2)	12.70 (1/2)	15.88 (5/8)	15.88 (5/8)	15.88 (5/8)	15.88 (5/8)	15.88 (5/8)	15.88 (5/8)
	Liquid Pipe	mm (inch)	6.35 (1/4)	6.35 (1/4)	9.52 (3/8)	9.52 (3/8)	9.52 (3/8)	9.52 (3/8)	9.52 (3/8)	9.52 (3/8)
Pipe Length	Min-Max	m	5 - 30	5 - 30	5 - 30	5 - 50	5 - 50	5 - 50	5 - 50	5 - 50
Elevation Difference		m	20	20	20	30	30	30	30	30
Maximum Chargeless Length	Max	m	10	10	10	30	30	30	30	30
Additional Gas		g/m	15	15	15	25	25	25	25	25
Operation Range, Outdoor	Min-Max	°C	16-46	16-46	16-46	16-46	16-46	16-46	16-46	16-46

* Specifications are subject to change without notice. Please refer to technical documents for more details. * The sound pressure level is measured in accordance with JIS C 9612 and JIS B 8616.
* STANDARD series indoor units can only be connected to outdoor units of the same series. * CZ-CAPWFC1 is a WLAN smart adaptor for connecting to the Comfort Cloud app.

NX Series STANDARD CEILING EXPOSED



TECHNICAL FOCUS

- The slim design makes thickness only 235 mm.
- Compact looking, stylish, one-motion design.
- Comfortable, long-distance airflow distribution.



Accessory



Packaged with Indoor unit

Optional Wired Remote Controller



CZ-RTC6W/6
CZ-RTC6WBL*1/6BL*1 CZ-RTC6WBLW*2/6BLW*2
*1 BL=BLE, *2 BLW=BLE&WLAN



CZ-RTC5B



CZ-RTC4

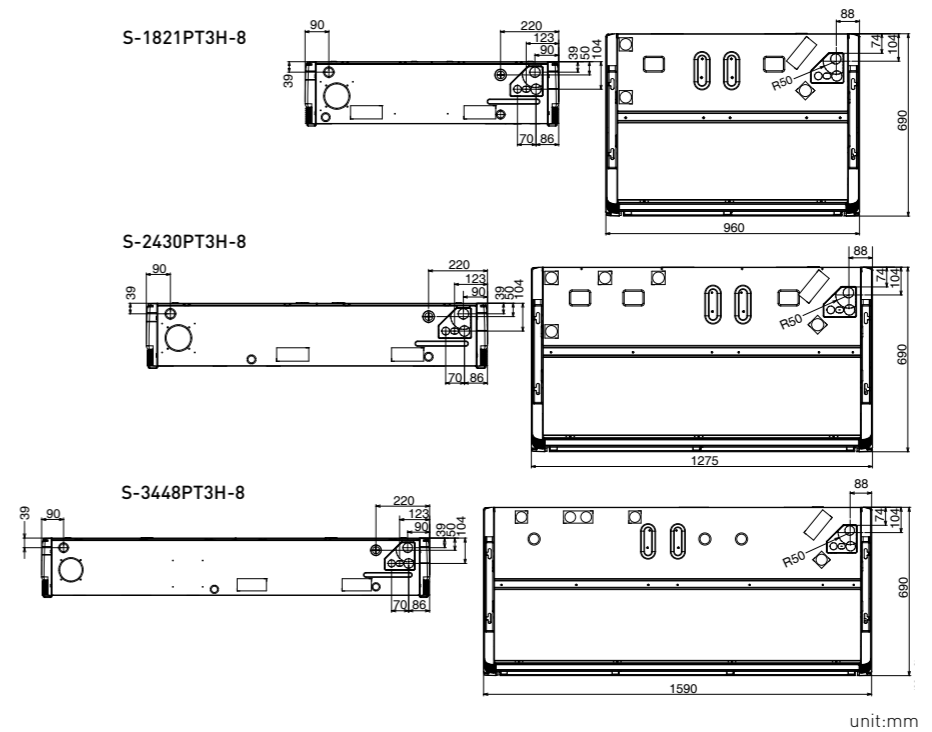


CZ-CAPWFC1

If not use CZ-RTC6WBLW*2/6BLW*2, The adaptor also can be used.

Dimensions

S-1821PT3H-8/S-2430PT3H-8/S-3448PT3H-8



Capacity (Btu/h)		20,500	29,000	42,700	42,700 (3)	45,500	45,500(3)
Power Source	V/Phase Hz	220V, 1Ø Phase - 50Hz					
Indoor Unit		S-1821PT3H-8	S-2430PT3H-8	S-3448PT3H-8	S-3448PT3H-8	S-3448PT3H-8	S-3448PT3H-8
Outdoor Unit		U-21PR1H5	U-30PR1H5	U-43PR1H5	U-43PR1H5	U-48PR1H5	U-48PR1H5
Cooling Capacity: Rated (Min-Max)	kW	6.00 (2.00-6.30)	8.50 (2.00-9.60)	12.50 (3.80-13.54)	12.50 (3.80-13.54)	13.33 (3.80-14.00)	13.33 (3.80-14.00)
	Btu/h	20,500 (6,820-21,500)	29,000 (6,820-32,800)	42,700 (13,000-46,200)	42,700 (13,000-46,200)	45,500 (13,000-47,800)	45,500 (13,000-47,800)
Current: Rated (Max)	A	9.3 (11.0)	13.1 (15.5)	20.3 (26.0)	6.7 (10.5)	22.2 (28.0)	7.4 (11.0)
Power Input: Rated (Min-Max)	kW	1.98 (0.39-2.25)	2.83 (0.29-3.31)	4.10 (0.68-4.50)	4.10 (0.68-4.50)	4.50 (0.68-4.80)	4.50 (0.68-4.80)
CSPF		5.62	5.66	5.08	5.08	4.98	4.98
COP/EER	W/W	3.03	3.00	3.05	3.05	2.96	2.96
	Btu/hW	10.35	10.25	10.41	10.41	10.11	10.11
Indoor Unit							
Air Volume	m³/min	15.0	21.0	35.0	35.0	35.0	35.0
	cfm	530	740	1,235	1,235	1,235	1,235
Sound Pressure Level (Hi/Lo)	dB (A)	38 / 29	40 / 32	46 / 38	46 / 38	46 / 38	46 / 38
Sound Power Level (Hi/Lo)	dB	56 / 47	58 / 50	64 / 56	64 / 56	64 / 56	64 / 56
Dimension	Indoor (HxWxD)	mm	235 x 960 x 690	235 x 1,275 x 690	235 x 1,590 x 690	235 x 1,590 x 690	235 x 1,590 x 690
Net Weight	Indoor	kg	26	34	40	40	40
Outdoor Unit							
Sound Pressure Level	dB (A)	51	54	57	57	58	58
Sound Power Level	dB	70	73	76	76	77	77
Dimension	Outdoor (HxWxD)	mm	619 x 824 x 299	695 x 875 x 320	996 x 980 x 370	996 x 980 x 370	996 x 980 x 370
Net Weight		kg	29	39	68	67	67
Piping Connection	Gas Pipe	mm (inch)	12.70 (1/2)	15.88 (5/8)	15.88 (5/8)	15.88 (5/8)	15.88 (5/8)
	Liquid Pipe	mm (inch)	6.35 (1/4)	9.52 (3/8)	9.52 (3/8)	9.52 (3/8)	9.52 (3/8)
Pipe Length	Min-Max	m	5 - 30	5 - 50	5 - 50	5 - 50	5 - 50
Elevation Difference		m	20	30	30	30	30
Maximum Chargeless Length	Max	m	10	30	30	30	30
Additional Gas		g/m	15	25	25	25	25
Operation Range, Outdoor	Min-Max	°C	16-46	16-46	16-46	16-46	16-46

* Specifications are subject to change without notice. Please refer to technical documents for more details.
* The sound pressure level is measured in accordance with JIS C 9612 and JIS B 8616.

FLOOR STANDING

NEW



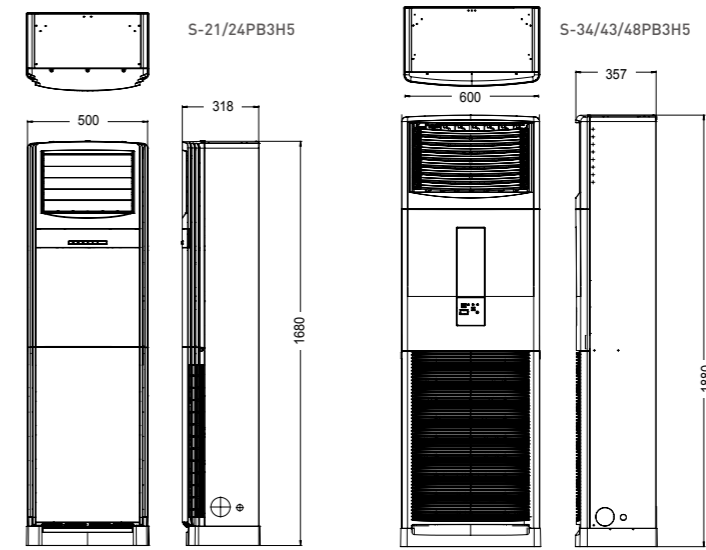
TECHNICAL FOCUS

- Stylish design & powerful air flow
- The control panel/remote controller have nanoe™ X displays
- Compact 34,100 Btu ODU (210 mm shorter/27 kg lighter than current model)



Dimensions

S-21PB3H5/S-24PB3H5/S-34PB3H5/S-43PB3H5/S-48PB3H5



Unit:mm



Convenient Functions

Random auto restart

During a power failure, when power is restored, it automatically restarts operating in the same mode as just before power was lost.

Auto fan mode

When the auto fan mode is set, the indoor unit of the air conditioner automatically is adjusted the suitable fan speed according to factors such as load.

12-hour On/Off delay setting timer

Pressing the timer button on the remote control lets you set operation start/stop time within 12 hours of the current time.



*The images above show the remote controller screen display.

Capacity (Btu/h)		20,500	24,600	34,100	42,700	47,750
Power Source	V/Phase Hz	220/230V, 1Ø Phase - 50Hz				
Indoor		S-21PB3H5	S-24PB3H5	S-34PB3H5	S-43PB3H5	S-48PB3H5
Outdoor		U-21PRB1H5	U-24PRB1H5	U-34PSB3H5	U-43PSB3H5	U-48PSB3H5
Cooling Capacity: Rated (Min-Max)	kW	6.05 (1.00-6.60)	7.25 (1.00-7.50)	10.00 (1.20-10.30)	12.53 (2.00-13.50)	14.00 (2.00-14.60)
	Btu/h	20,500 (3,410-22,500)	24,600 (3,410-25,570)	34,100 (4,090-35,120)	42,700 (6,820-46,030)	47,750 (6,820-49,780)
Current: Rated (Max)	A	8.00 (11.2)	11.2 (13.7)	15.1 (16.9)	20.3 (26.9)	25.6 (28.1)
Cooling Power Input: Rated (Min-Max)	kW	1.80 (0.21-2.30)	2.55 (0.21-2.80)	3.45 (0.30-3.60)	4.47 (0.80-5.00)	5.60 (0.80-5.70)
	W/W	3.36	2.84	2.89	2.80	2.50
Cooling Rated COP/EER		11.3	9.64	9.88	9.55	8.52
	Btu/hW					
Indoor Unit						
Cooling Air Volume	m³/min	15.5	15.5	32.0	32.0	32.0
	cfm	547	547	1,130	1,130	1,130
Sound Pressure Level (Hi/Lo)	dB (A)	45 / 31	45 / 33	53 / 44	53 / 44	53 / 44
Sound Power Level (Hi/Lo)	dB (A)	58 / 44	58 / 46	66 / 57	66 / 57	66 / 57
Dimension	Indoor (HxWxD)	mm	1,680 x 500 x 318	1,680 x 500 x 318	1,880 x 600 x 357	1,880 x 600 x 357
Net Weight	Indoor	kg	29	29.5	45.0	45.0
Outdoor						
Sound Pressure Level	dB (A)	53	54	54	55	56
Sound Power Level	dB (A)	66	67	67	68	69
Dimension Outdoor (HxWxD)	mm	626 x 825 x 320	626 x 825 x 320	786 x 900 x 320	996 x 940 x 340	996 x 940 x 340
Net Weight	kg	35.0	36.0	45.0	74.0	74.0
Piping Connection	Gas Pipe	mm (inch)	12.70 (4/8)	15.88 (5/8)	15.88 (5/8)	15.88 (5/8)
	Liquid Pipe	mm (inch)	6.35 (1/4)	6.35 (1/4)	6.35 (1/4)	9.52 (3/8)
Pipe Length	Min-Max	m	3 - 40	3 - 40	7.5 - 50	7.5 - 50
Elevation Difference (Outdoor unit upper)	m	20	20	20	30	30
Maximum Chargeless Length Max	m	15	15	20	20	20
Additional Gas	g/m	10	10	40	50	50
Operation Range, Outdoor	Min-Max	°C	18-43	18-43	18-43	18-43

* Specifications are subject to change without notice. Please refer to technical documents for more details.

* The sound pressure level is measured in accordance with JIS C 9 612 and JIS B 8616.

FLOOR STANDING



TECHNICAL FOCUS

- 12-Hour On/Off Real Setting Timer
- Self-Diagnostic Function (*5HP)
- Random Auto Restart (*2/3HP)
- Auto Freezing Control (2/3HP)
- Auto Fan Mode

Accessory

(Wireless Remote Controller)



A wireless remote controller is in the same package with the indoor unit.



CS-C18FFH/
CS-C28FFH



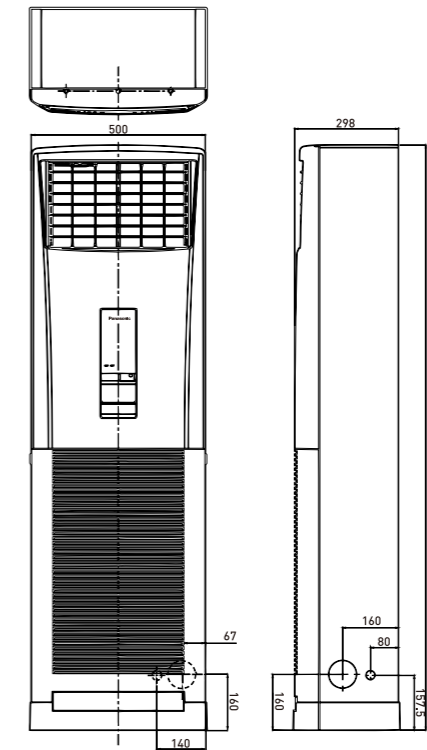
CS-C45FFH

Capacity [Btu/h]		17,400 - 17,600	24,600 - 25,000	41,000 - 42,700	
Power Source	V/Phase Hz	220 - 240 V, 1Ø Phase - 50 Hz		380 - 415 V, 3Ø phase - 50Hz	
Indoor		CS-C18FFH	CS-C28FFH	CS-C45FFH	
Outdoor		CU-C18FFH	CU-C28FFH	CU-C45FFH	
Cooling Capacity: Rated	kW	5.10 - 5.15	7.20 - 7.30	12.0 - 12.5	
	Btu/h	17,400 - 17,600	24,600 - 25,000	41,000 - 42,700	
Current	A	8.65 - 8.80	11.9 - 12.0	8.4	
Power Input: Rated	kW	1.90 - 1.95	2.60 - 2.65	4.71 - 4.80	
	W/W	2.68 - 2.64	2.76 - 2.75	2.54 - 2.60	
EER	Btu/hW	9.15 - 9.02	9.46 - 9.43	8.70 - 8.89	
Indoor Unit					
Air Volume	m ³ /min	14.5 - 15.5	15.0 - 16.2	27.0	
Sound Pressure Level (Hi/Lo)	dB [A]	[46 / 40] - [47 / 41]	[48 / 42] - [49 / 43]	53 / 47	
Dimension	Indoor (H×W×D)	mm	1,680 × 500 × 298	1,680 × 500 × 298	1,880 × 600 × 350
Net Weight		kg	34.0	35.0	52.0
Outdoor Unit					
Sound Pressure Level	dB [A]	53 - 54	53 - 54	57	
Dimension	Outdoor (H×W×D)	mm	540 × 780 × 289	795 × 900 × 320	1,175 × 900 × 320
Net weight		kg	40.0	55.0	88.0
Piping Connection	Gas Pipe	mm (inch)	12.70 [1/2"]	15.88 [5/8"]	19.05 [3/4"]
	Liquid Pipe	mm (inch)	6.35 [1/4"]	9.52 [3/8"]	9.53 [3/8"]
Pipe Length	Min-Max	m	3.0 - 10.0	3.0 - 15.0	7.5 - 30.0
Elevation Difference			7.0	10.0	20.0
Maximum Chargeless Length	Max	m	7.0	7.0	15.0
Additional Gas		g/m	25	30	50
Operating Range, Outdoor	Min-Max	°C	21 - 43	21 - 43	21 - 43

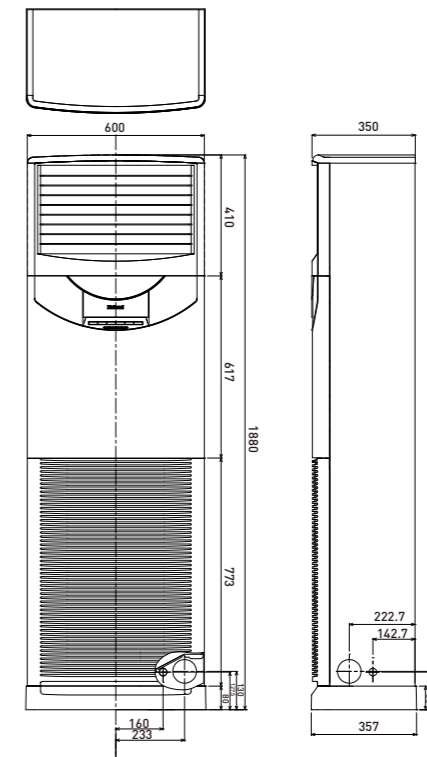
Please refer to technical documents for more details.

Dimensions

CS-C18FFH / CS-C28FFH









CS-C45FFH



Unit:mm

HEAT PUMP Series **HEAT PUMP** **NEW**

- All indoor units are equipped with nanoe™ X technology (Mark 2) as standard
- New PZ3H5 Series can be used for both heating and cooling
- Use in-house manufactured compressor

Capacity [Btu/h]	18,000	21,000	24,000	34,100	43,000(1)	43,000(3)	48,000(1)	48,000(3)
4-Way Cassette  	S-18PU3HB	S-2124PU3HB	S-3448PU3HB*					
Adaptive Ducted  	S-18PF3HB	S-2124PF3HB	S-3448PF3HB*					
Outdoor Unit  	U-18PZ3H5	U-21PZ3H5	U-24PZ3H5	U-34PZ3H5	U-43PZ3H5	U-43PZ3H8*	U-48PZ3H5	U-48PZ3H8*

* 3-phase model is also available.

NEW 24-hour nanoe™ X Air Protection

Get 24 hours of quality air for you and your loved ones by turning nanoe™ X on using Panasonic Comfort Cloud anywhere, anytime. nanoe™ X functions in the cooling mode and is maintenance-free, helping you enjoy cleaner air while keeping your costs down.



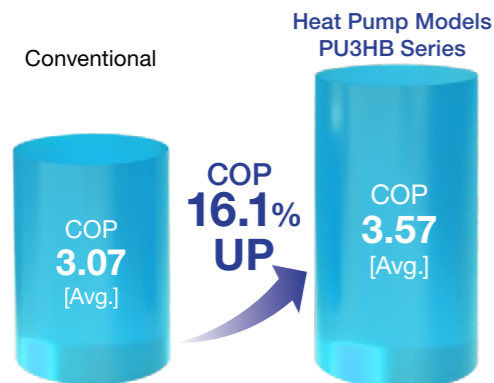
Please refer to the nanoe™ X website.



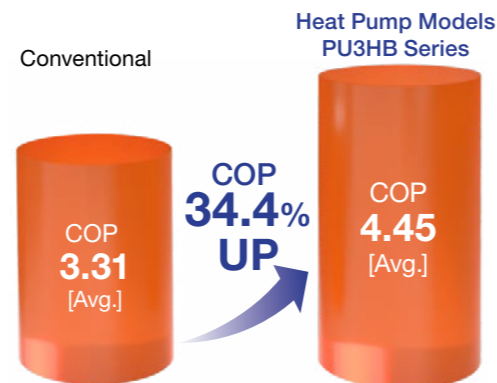
NEW High Energy Efficiency to Save Power Consumption

For PAC HEAT PUMP models, the coefficient of performance has been especially improved to reduce power consumption.

Cooling COP Comparison



Heating COP Comparison



* Compared with 4-way cassette at same range capacity COP (2.5/3.0/4.0/5.0/6.0HP)

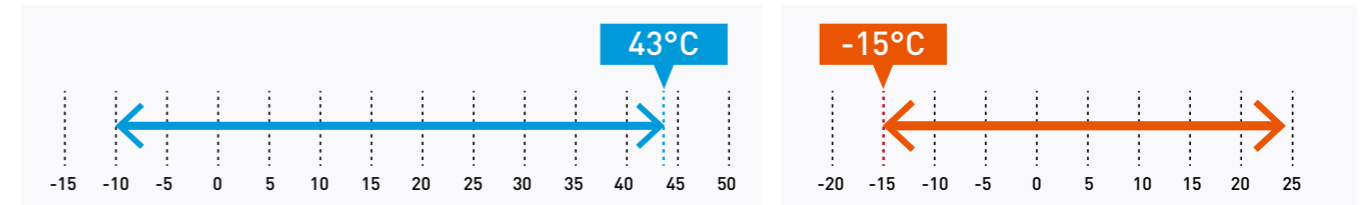
Wide Operation Range HEAT PUMP Model



Cooling & Heating Even in Difficult Ambient Conditions

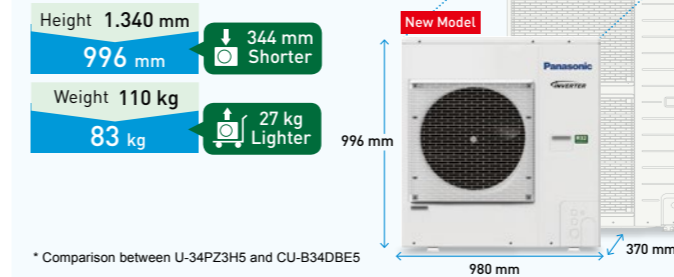
The PAC HEAT PUMP models are capable of working even in the most difficult ambient conditions. Cooling operation is possible when the outdoor temperature is as low as -10°C*1 or as high as 43°C*2. The heating operation can also be utilized at outdoor temperatures down to -15°C when the outdoor temperature is as low as -15°C.

*1 It is possible to operate at -10°C only in computer rooms with a piping length of 30m or less.
*2 Please check technical tables for further details on operating temperature.



Advantages for Outdoor Unit

34,100k Btu/h Comparison*



* Comparison between U-34PZ3H5 and CU-B34DBE5

Compact, Space-saving Design

The ingenious design allows for a more compact outdoor unit that fits into any space and layout.



In-house Manufactured Compressor & R32 Refrigerant

All Panasonic heat exchangers feature our Blue Fin technology, which offers corrosion resistance. They also use an in-house manufactured compressor, and next-generation R32 refrigerant with low global warming potential.

4-WAY CASSETTE

HEAT PUMP

NEW



TECHNICAL FOCUS

- Industry-leading powerful, 360° wide & comfortable airflow.
- The drain pump can pump water up to a height of 850 mm, making drain pipe layout

Accessories

Panel



CZ-KPU3H

[Wireless Remote Controller]



Packaged with Indoor unit

[Optional Wired Remote Controller]



CZ-RTC6W/6
CZ-RTC6WBL*/6BL*1 CZ-RTC6WBLW*/6BLW*2
*1 BL=BLE, *2 BLW=BLE&WLAN



CZ-RTC5B



CZ-RTC4

[Optional]



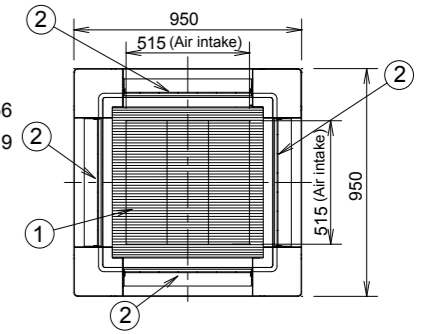
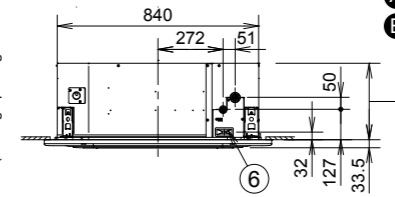
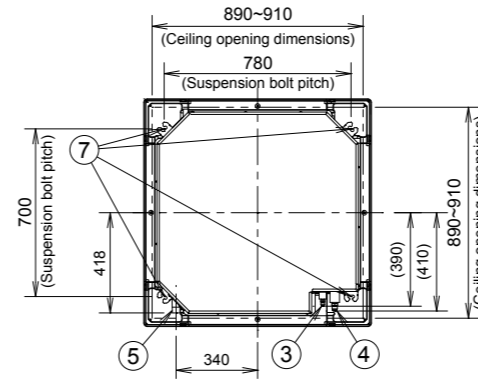
CZ-CAPWFC1

If not use CZ-RTC6WBLW*/6BLW*2, The adaptor also can be used.



Dimensions

- A S-18PU3HB/S-2124PU3HB
- B S-3448PU3HB



unit:mm

- Air intake
- Discharge outlet
- Refrigerant tubing (liquid tube)
- Refrigerant tubing (gas tube)
- Drain tube connection port VP25 (outer dia. ø32)
- Power supply port
- Suspension bolt hole (4-12x30 elongated hole)

<Filter dimension> 520 x 520 x 15

Capacity [Btu/h Phase]			17,100	20,500	24,200	34,100	42,700	42,700 [3]	47,800	47,800[3]	
Power Source	V/Phase Hz		220-240V, 1ØPhase - 50Hz				380-415V, 3ØPhase - 50Hz		220-240V, 1ØPhase - 50Hz		380-415V, 3ØPhase - 50Hz
Indoor Unit			S-18PU3HB	S-2124PU3HB	S-2124PU3HB	S-3448PU3HB	S-3448PU3HB	S-3448PU3HB	S-3448PU3HB	S-3448PU3HB	
Outdoor Unit			U-18PZ3H5	U-21PZ3H5	U-24PZ3H5	U-34PZ3H5	U-43PZ3H5	U-43PZ3H8	U-48PZ3H5	U-48PZ3H8	
Panel			CZ-KPU3H	CZ-KPU3H	CZ-KPU3H	CZ-KPU3H	CZ-KPU3H	CZ-KPU3H	CZ-KPU3H	CZ-KPU3H	
Cooling Capacity: Rated [Min-Max]	kW		5.00 [1.5-5.6]	6.00 [2.0-7.1]	7.10 [2.6-7.7]	10.00 [3.0-11.5]	12.50 [3.2-13.5]	12.50 [3.2-13.5]	14.00 [3.3-15.0]	14.00 [3.3-15.0]	
	Btu/h		17,100 [5,100-19,100]	20,500 [6,800-24,200]	24,200 [8,900-26,300]	34,100 [10,200-39,200]	42,700 [10,900-46,100]	42,700 [10,900-46,100]	47,800 [11,300-51,200]	47,800 [11,300-51,200]	
Heating Capacity: Rated [Min-Max]	kW		5.00 [1.5-5.6]	6.00 [1.8-7.0]	7.10 [2.6-8.1]	10.00 [3.0-14.0]	12.50 [3.3-15.0]	12.50 [3.3-15.0]	14.00 [3.4-16.0]	14.00 [3.4-16.0]	
	Btu/h		17,100 [5,100-21,800]	20,500 [6,100-23,900]	24,200 [7,200-27,600]	34,100 [10,200-47,800]	42,700 [11,300-51,200]	42,700 [11,300-51,200]	47,800 [11,600-54,600]	47,800 [11,600-54,600]	
Current: Rated [Max]	Cooling	A	5.95-5.45 [10.5]	7.5-6.9 [13.1]	10.1-9.25 [14.8]	13.1-12.0 [27.9]	16.9-15.5 [31.9]	5.65-5.15 [12.9]	21.0-19.2 [32.9]	7.00-6.40 [13.4]	
	Heating	A	5.05-4.65 [10.5]	6.2-5.7 [13.1]	7.80-7.15 [14.8]	10.1-9.3 [27.9]	13.6-12.5 [31.9]	4.55-4.15 [12.9]	16.2-14.8 [32.9]	5.40-4.95 [13.4]	
Power Input: Rated [Min-Max]	Cooling	kW	1.28 [0.24-1.75]	1.57 [0.34-2.36]	2.09 [0.54-2.78]	2.62 [0.56-4.00]	3.49 [0.60-4.80]	3.49 [0.60-4.80]	4.34 [0.62-5.50]	4.34 [0.62-5.50]	
	Heating	kW	1.08 [0.20-1.84]	1.34 [0.26-2.20]	1.68 [0.35-2.40]	2.03 [0.56-3.90]	2.82 [0.60-4.20]	2.82 [0.60-4.20]	3.35 [0.62-4.80]	3.35 [0.62-4.80]	
CSPF			5.80	6.91	5.55	6.17	6.23	6.23	5.97	5.97	
COP/EER	Cooling	W/W	3.91	3.82	3.4	3.82	3.58	3.58	3.23	3.23	
		Btu/hW	13.34	13.03	11.60	13.03	12.21	12.21	11.02	11.02	
COP/EER	Heating	W/W	4.63	4.48	4.23	4.93	4.43	4.43	4.18	4.18	
	Btu/hW		15.80	15.29	14.43	16.82	15.12	15.12	14.26	14.26	
Indoor Unit											
Air Volume	Cooling	m³/min(H/M/L)	16.5/13.5/11.5	21.0/16.0/13.0	22.0/16.0/13.0	36.0/26.0/18.0	37.0/27.0/19.0	37.0/27.0/19.0	38.0/29.0/20.0	38.0/29.0/20.0	
		cfm(H/M/L)	275/225/192	350/267/217	367/267/217	601/434/300	617/450/317	617/450/317	634/484/334	634/484/334	
Air Volume	Heating	m³/min(H/M/L)	16.5/13.5/11.5	21.0/13.0/13.0	22.0/16.0/13.0	36.0/26.0/18.0	37.0/27.0/19.0	37.0/27.0/19.0	38.0/29.0/20.0	38.0/29.0/20.0	
		cfm(H/M/L)	275/225/192	350/267/217	367/267/217	601/434/300	617/450/317	617/450/317	634/484/334	634/484/334	
Sound Pressure Level	Cooling	dB [A] (H/M/L)	32/29/27	36/31/28	37/31/28	45/38/32	46/39/33	46/39/33	47/40/34	47/40/34	
		dB [A] (H/M/L)	32/29/27	36/31/28	37/31/28	60/53/47	61/54/48	61/54/48	62/55/49	62/55/49	
Sound Power Level	Cooling	dB [A] (H/M/L)	47/44/42	51/46/43	52/46/43	45/38/32	46/39/33	46/39/33	47/40/34	47/40/34	
		dB [A] (H/M/L)	47/44/42	51/46/43	52/46/43	60/53/47	61/54/48	61/54/48	62/55/49	62/55/49	
Dimension	Indoor (HxWxD)	mm	256 x 840 x 840	256 x 840 x 840	256 x 840 x 840	319 x 840 x 840	319 x 840 x 840	319 x 840 x 840	319 x 840 x 840	319 x 840 x 840	
		mm	44 x 950 x 950	44 x 950 x 950	44 x 950 x 950	44 x 950 x 950	44 x 950 x 950	44 x 950 x 950	44 x 950 x 950	44 x 950 x 950	
Net Weight	Indoor	kg	19	20	20	25	25	25	25	25	
		kg	5	5	5	5	5	5	5	5	
Outdoor Unit											
Sound Pressure Level	Cooling	dB [A] (H/L)	46/-	48/-	49/-	52/-	55/-	55/-	56/-	56/-	
		dB [A] (H/L)	46/-	49/-	49/-	52/-	55/-	55/-	56/-	56/-	
Sound Power Level	Cooling	dB [A] (H/L)	64/-	66/-	67/-	70/-	73/-	73/-	74/-	74/-	
		dB [A] (H/L)	64/-	67/-	67/-	70/-	73/-	73/-	74/-	74/-	
Dimension	Outdoor (HxWxD)	mm	619 x 824 x 299	695 x 875 x 320	695 x 875 x 320	996 x 980 x 370	996 x 980 x 370	996 x 980 x 370	996 x 980 x 370	996 x 980 x 370	
Net Weight		kg	35	42	50	83	87	87	87	87	
Piping Connection	Gas Pipe	mm (inch)	12.70 [1/2]	12.70 [1/2]	15.88 [5/8]	15.88 [5/8]	15.88 [5/8]	15.88 [5/8]	15.88 [5/8]	15.88 [5/8]	
		mm (inch)	6.35 [1/4]	6.35 [1/4]	6.35 [1/4]	9.52 [3/8]	9.52 [3/8]	9.52 [3/8]	9.52 [3/8]	9.52 [3/8]	
Pipe Length	Min-Max	m	3-20	3-40	3-40	5-50	5-50	5-50	5-50	5-50	
Elevation Difference [ODU Higher]		m	15	30	30	30	30	30	30	30	
Maximum Chargeless Length	Max	m	7.5	30	30	30	30	30	30	30	
Additional Gas		g/m	15	15	17	45	45	45	45	45	
Operation Range, Outdoor	Cooling [Min-Max]	°C	-10-43	-10-43	-10-43	-10-43	-10-43	-10-43	-10-43	-10-43	
		°C	-15-24	-15-24	-15-24	-15-24	-15-24	-15-24	-15-24	-15-24	

* Specifications are subject to change without notice. Please refer to technical documents for more details. * The sound pressure level is measured in accordance with JIS C 9612 and JIS B 8616.

ADAPTIVE DUCTED **HEAT PUMP** **NEW**



TECHNICAL FOCUS

- Air intake from rear as standard. Industry-leading horizontal and vertical design.
- Powerful 150Pa ESP and space saving 250 mm height, filter included.
- Built-in drain pump and selectable air inlet position (bottom and rear).

Accessories

(Selectable Remote Controller)



CZ-RTC6W/6
CZ-RTC6WBL*/6BL*1 CZ-RTC6WBLW*/6BLW*2
*1 BL=BLE, *2 BLW=BLE&WLAN



CZ-RTC5B CZ-RTC4

(Optional Wireless Remote Controller)



CZ-RWS3 CZ-RWRC3

(Optional Adaptor)



CZ-CAPWFC1

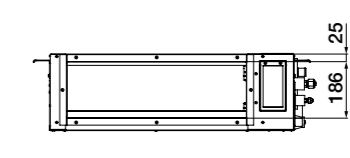
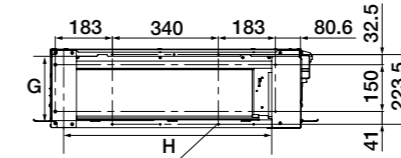
If not use CZ-RTC6WBLW*/6BLW*2, the adaptor also can be used.



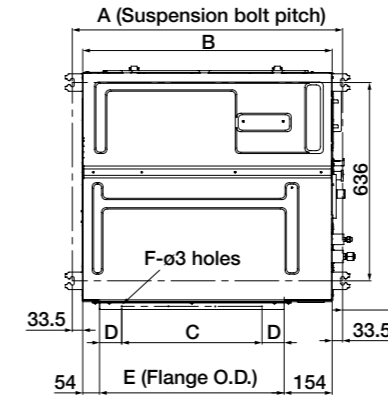
Dimensions S-18PF3HB/S-2124PF3HB/S-3448PF3HB

Detailed dimensions of indoor unit

Type	A mm	B mm	C mm	D mm	E mm	F Q'ty	G mm	H mm
18	867	800	450 (Pitch 150 x 3)	71	592	12	204	683
2124	1,067	1,000	750 (Pitch 150 x 5)	21	792	16	204	883
3448	1,467	1,400	1,050 (Pitch 150 x 7)	71	1,192	20	204	1,283



Note: For 18 type: 8-03.2 hole for M4 self-tapping screw.
For 2124 type: 12-03.2 hole for M4 self-tapping screw.
For 3448 type: 14-03.2 hole for M4 self-tapping screw.
Note: Please remove cover plate for Dimension H (only for 18 type).



unit:mm

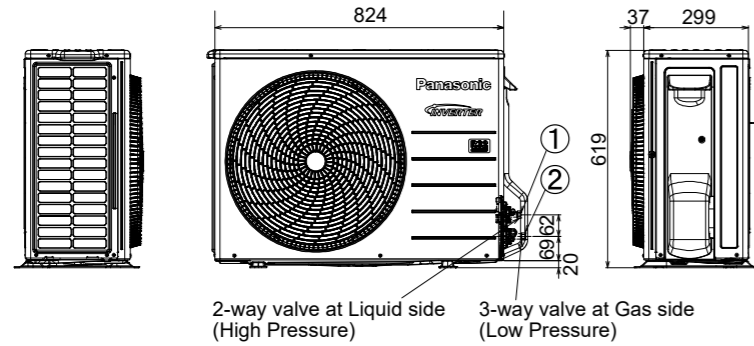
Capacity [Btu/h Phase]	15,700		19,400	23,200	32,400	41,300	41,300 [3]	45,700	45,700[3]	
Power Source	V/Phase Hz		220-240V, 1ØPhase - 50Hz						380-415V, 3ØPhase - 50Hz	
Indoor Unit	S-18PF3HB		S-2124PF3HB	S-2124PF3HB	S-3448PF3HB	S-3448PF3HB	S-3448PF3HB	S-3448PF3HB	S-3448PF3HB	
Outdoor Unit	U-18PZ3H5		U-21PZ3H5	U-24PZ3H5	U-34PZ3H5	U-43PZ3H5	U-43PZ3H5	U-48PZ3H5	U-48PZ3H5	
Cooling Capacity: Rated [Min-Max]	kW	4.6 [1.5-5.3]	5.7 [2.0-6.3]	6.80 [2.6-7.7]	9.5 [3.0-11.4]	12.10 [3.2-13.5]	12.10 [3.2-13.5]	13.40 [3.3-16.0]	13.40 [3.3-16.0]	
	Btu/h	15,700 [5,100-18,100]	19,400 [6,800-21,500]	23,200 [8,900-26,300]	32,400 [10,200-38,900]	41,300 [10,900-46,100]	41,300 [10,900-46,100]	45,700 [11,300-51,200]	45,700 [11,300-51,200]	
Heating Capacity: Rated [Min-Max]	kW	5.00 [1.5-5.9]	5.7 [1.8-7.0]	6.80 [2.1-8.1]	9.5 [3.0-13.5]	12.10 [3.3-15.0]	12.10 [3.3-15.0]	13.40 [3.4-15.0]	13.40 [3.4-15.0]	
	Btu/h	17,100 [5,100-20,100]	19,400 [6,100-23,900]	23,200 [7,200-27,600]	32,400 [10,200-46,100]	41,300 [11,300-51,200]	41,300 [11,300-51,200]	45,700 [11,600-54,600]	45,700 [11,600-54,600]	
Current: Rated [Max]	Cooling	A	6.70-6.10 [10.5]	7.45-6.85 [13.1]	9.95-9.10 [14.8]	13.3-12.2 [27.9]	17.2-15.8 [31.9]	5.75-5.25 [12.9]	20.5-18.8 [32.9]	
	Heating	A	6.45-5.95 [10.5]	6.55-6.00 [13.1]	7.90-7.25 [14.8]	11.6-10.6 [27.9]	16.4-15.1 [31.9]	5.50-5.05 [12.9]	17.2-15.8 [32.9]	
Power Input: Rated [Min-Max]	Cooling	kW	1.44 [0.32-1.92]	1.61 [0.38-2.40]	2.14 [0.57-2.86]	2.66 [0.59-4.84]	3.56 [0.63-4.90]	4.24 [0.65-5.86]	4.24 [0.65-5.86]	
	Heating	kW	1.38 [0.28-1.93]	1.41 [0.30-2.48]	1.70 [0.37-2.67]	2.32 [0.59-4.50]	3.40 [0.63-4.74]	3.40 [0.65-5.28]	3.56 [0.65-5.28]	
CSPF			4.92	6.20	5.06	5.90	5.51	5.51	5.44	
COP/EER	Cooling	W/W	3.19	3.54	3.18	3.57	3.40	3.4	3.16	
	Btu/hW		10.88	12.08	10.85	12.18	11.60	11.60	10.78	
COP/EER	Heating	W/W	3.62	4.04	4.00	4.09	3.56	3.56	3.76	
	Btu/hW		12.35	13.78	13.65	13.96	12.15	12.15	12.83	
Indoor Unit										
Air Volume	Cooling	m³/min[H/M/L]	16.0/15.0/12.0	21.0/19.0/15.0	21.0/19.0/15.0	32.0/26.0/21.0	34.0/29.0/23.0	34.0/29.0/23.0	36.0/32.0/25.0	
	cfm[H/M/L]		267/250/200	350/317/250	350/317/250	534/434/350	567/484/384	567/484/384	601/534/417	
Air Volume	Heating	m³/min[H/M/L]	16.0/15.0/12.0	21.0/19.0/15.0	21.0/19.0/15.0	32.0/26.0/21.0	34.0/29.0/23.0	34.0/29.0/23.0	36.0/32.0/25.0	
	cfm[H/M/L]		267/250/200	350/317/250	350/317/250	534/434/350	567/484/384	567/484/384	601/534/417	
External Static Pressure [Min-Max]		Pa	30 [10-150]	30 [10-150]	30 [10-150]	40 [10-150]	50 [10-150]	50 [10-150]	50 [10-150]	
Sound Pressure Level	Cooling	dB [A] [H/M/L]	34/30/25	30/26/23	30/26/23	33/29/25	35/31/27	35/31/27	39/35/29	
	Heating	dB [A] [H/M/L]	34/30/25	30/26/23	30/26/23	33/29/25	35/31/27	35/31/27	39/35/29	
Sound Power Level	Cooling	dB [A] [H/M/L]	57/53/48	53/49/46	53/49/46	56/52/48	58/54/50	58/54/50	62/58/52	
	Heating	dB [A] [H/M/L]	57/53/48	53/49/46	53/49/46	56/52/48	58/54/50	58/54/50	62/58/52	
Dimension	Indoor (HxWxD)	mm	250 x 800 x 730	250 x 1,000 x 730	250 x 1,000 x 730	250 x 1,400 x 730	250 x 1,400 x 730	250 x 1,400 x 730	250 x 1,400 x 730	
Net Weight	Indoor	kg	25	30	30	39	39	39	39	
Outdoor Unit										
Sound Pressure Level	Cooling	dB [A] [H/L]	48/-	48/-	49/-	52/-	55/-	55/-	56/-	
	Heating	dB [A] [H/L]	49/-	49/-	49/-	52/-	55/-	55/-	56/-	
Sound Power Level	Cooling	dB [A] [H/L]	66/-	66/-	67/-	70/-	73/-	73/-	74/-	
	Heating	dB [A] [H/L]	67/-	67/-	67/-	70/-	73/-	73/-	74/-	
Dimension	Outdoor (HxWxD)	mm	619 x 824 x 299	695 x 875 x 320	695 x 875 x 320	996 x 980 x 370	996 x 980 x 370	996 x 980 x 370	996 x 980 x 370	
Net Weight		kg	35	42	50	83	87	87	87	
Piping Connection	Gas Pipe	mm [inch]	12.70 [1/2]	12.70 [1/2]	15.88 [5/8]	15.88 [5/8]	15.88 [5/8]	15.88 [5/8]	15.88 [5/8]	
	Liquid Pipe	mm [inch]	6.35 [1/4]	6.35 [1/4]	6.35 [1/4]	9.52 [3/8]	9.52 [3/8]	9.52 [3/8]	9.52 [3/8]	
Pipe Length	Min-Max	m	3-30	3-40	3-40	5-50	5-50	5-50	5-50	
Elevation Difference [ODU Higher]		m	15	30	30	30	30	30	30	
Maximum Chargeless Length	Max	m	10	30	30	30	30	30	30	
Additional Gas		g/m	15	15	17	45	45	45	45	
Operation Range, Outdoor	Cooling [Min-Max]	°C	-10-43	-10-43	-10-43	-10-43	-10-43	-10-43	-10-43	
	Heating [Min-Max]	°C	-15-24	-15-24	-15-24	-15-24	-15-24	-15-24	-15-24	

* Specifications are subject to change without notice. Please refer to technical documents for more details. * The sound pressure level is measured in accordance with JIS C 9612 and JIS B 8616.

OUTDOOR UNITS

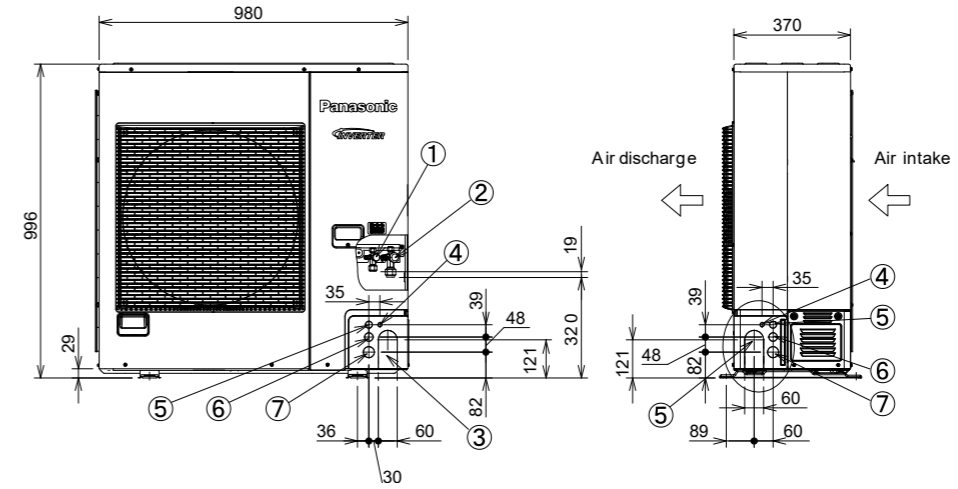
NX Series **INVERTER** **NEW**

Dimensions U-18PR1H5/U-21PR1H5/U-24PR1H5



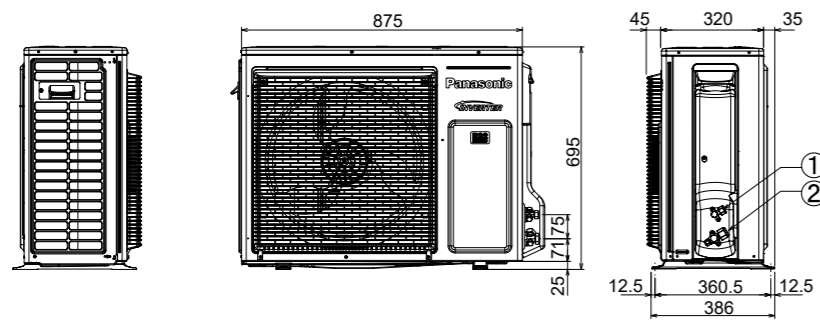
- ① Refrigerant tubing (liquid tube), flared connection ($\phi 6.35^{\circ}/9.52^{\circ}$)
 - ② Refrigerant tubing (gas tube), flared connection ($\phi 12.70^{\circ}/15.88^{\circ}$)
- *1 For U-18/21PR
*2 For U-24PR
*Mounting hole (4-R6.5), anchor bolt : M10

Dimensions U-34PRH1H5/U-43PRH1H5/U-43PR1H5/U-43PRH1H8/U-43PR1H8 U-48PRH1H5/U-48PR1H5/U-48PRH1H8/U-48PR1H8



- ① Refrigerant tubing (liquid tube), flared connection ($\phi 9.52$)
 - ② Refrigerant tubing (gas tube), flared connection ($\phi 15.88$)
 - ③ Refrigerant tubing port
 - ④ Electrical wiring port ($\phi 13$)
 - ⑤ Electrical wiring port ($\phi 22$)
 - ⑥ Electrical wiring port ($\phi 27$)
 - ⑦ Electrical wiring port ($\phi 35$)
- *Mounting hole (4-R6.5), anchor bolt : M10

Dimensions U-18PRH1H5/U-21PRH1H5/U-24PRH1H5/U-30PR1H5/U-34PR1H5



- ① Refrigerant tubing (liquid tube), flared connection ($\phi 6.35^{\circ}/9.52^{\circ}$)
 - ② Refrigerant tubing (gas tube), flared connection ($\phi 12.70^{\circ}/15.88^{\circ}$)
- *3 For U-18/21PRH
*4 For U-24PRH and U-30/34PR
*Mounting hole (4-R6.5), anchor bolt : M10

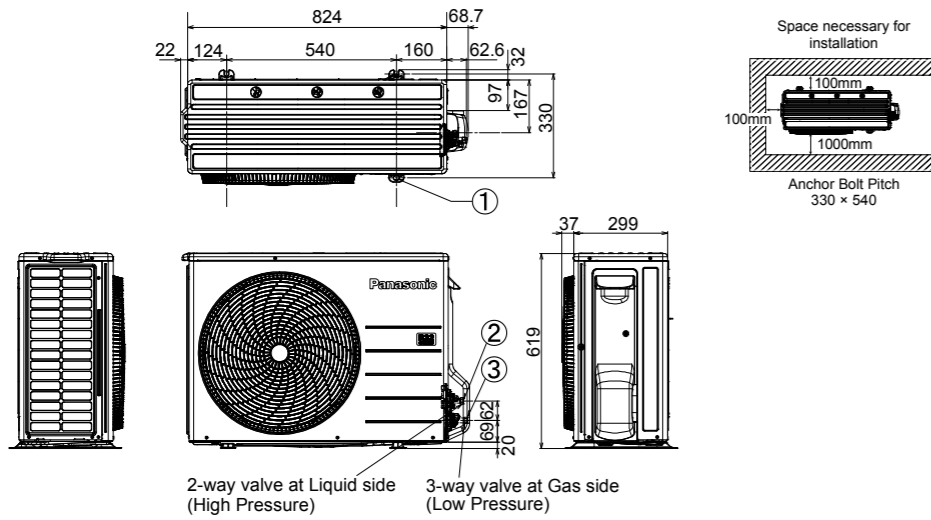
Unit:mm

Unit:mm

OUTDOOR UNITS

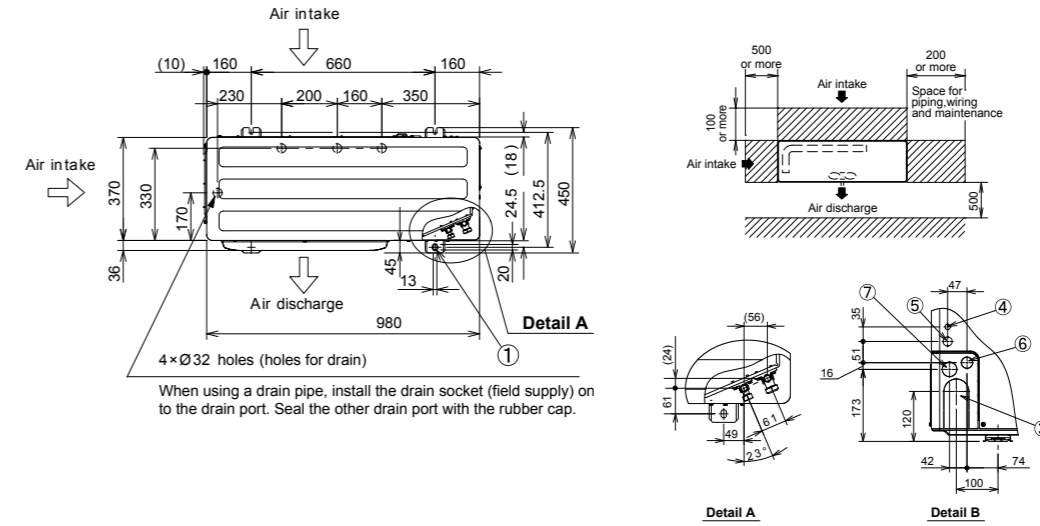
NON-INVERTER MODELS

Dimensions U-19PN1H5 / U-25PN1H5 (1-phase)



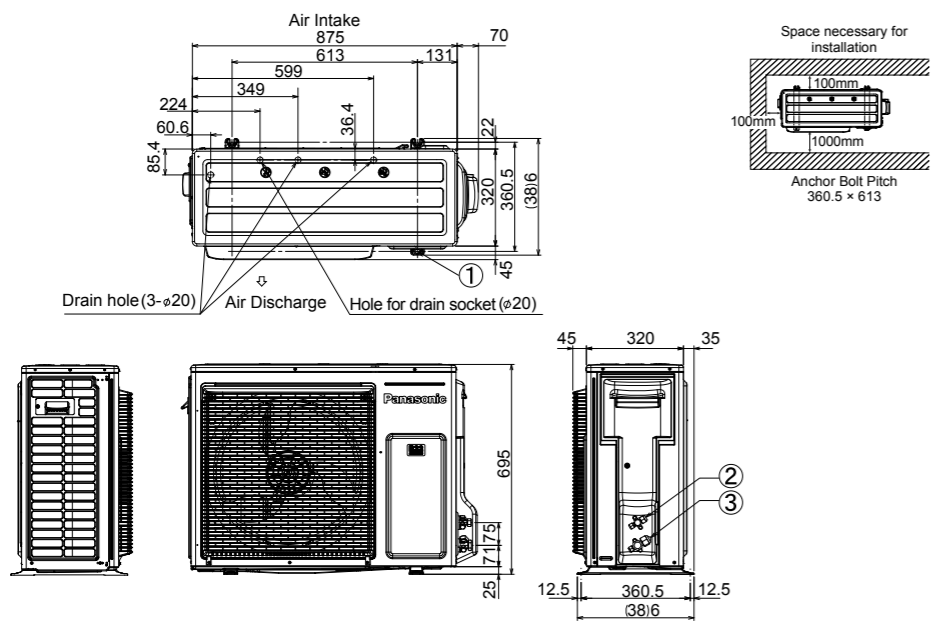
- ① Mounting hole (4-R6.5), anchor bolt : M10
- ② Refrigerant tubing (liquid tube), flared connection (φ6.35)
- ③ Refrigerant tubing (gas tube), flared connection (φ12.70)

Dimensions U-42PN1H8 / U-50PN1H8 (3-phase)

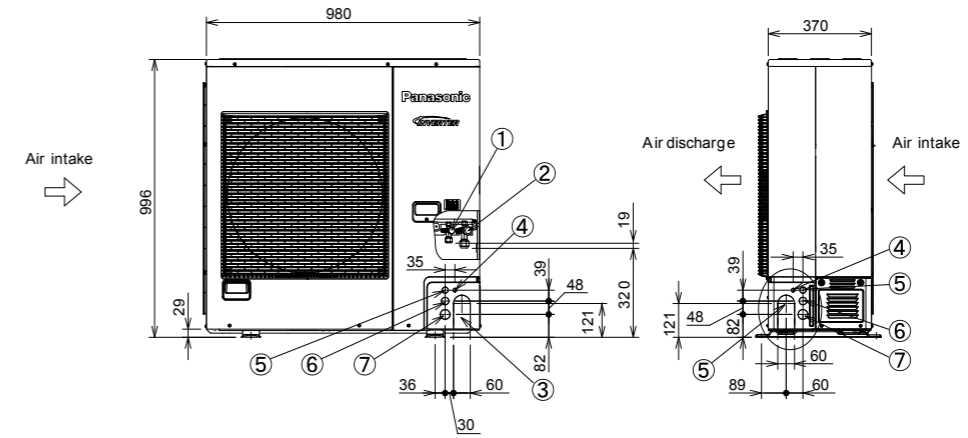


- ① Mounting hole (4-R6.5), anchor bolt : M10
- ① Refrigerant tubing (liquid tube), flared connection (Ø9.52)
- ② Refrigerant tubing (gas tube), flared connection (Ø15.88)
- ③ Refrigerant tubing port
- ④ Electrical wiring port (Ø13)
- ⑤ Electrical wiring port (Ø22)
- ⑥ Electrical wiring port (Ø27)
- ⑦ Electrical wiring port (Ø35)

Dimensions U-30PN1H5 (1-phase) U-30PN1H8 / U-36PN1H8 (3-phase)



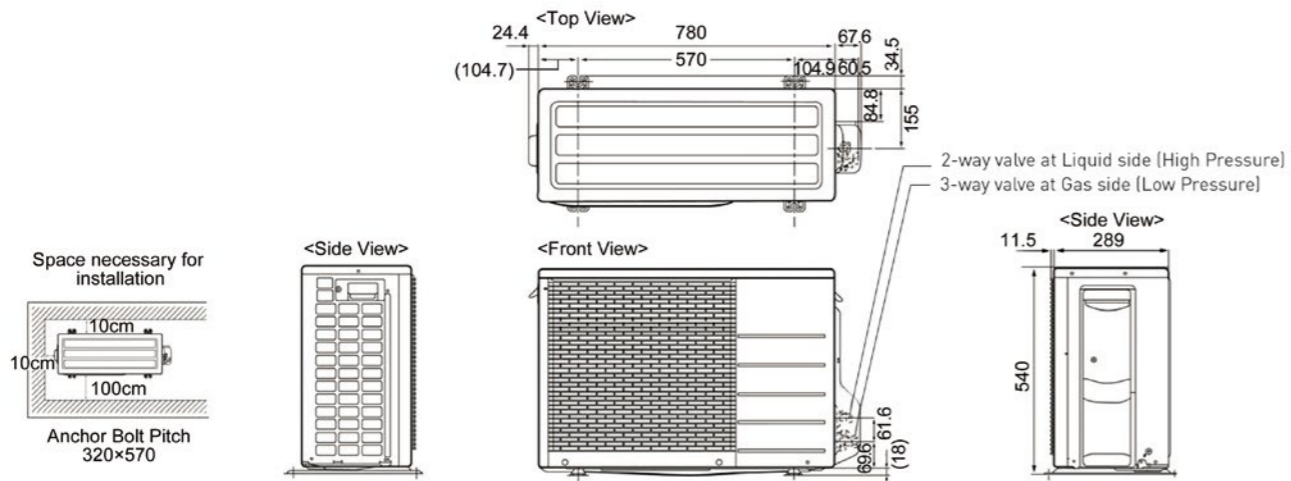
- ① Mounting hole (4-R6.5), anchor bolt : M10
- ② Refrigerant tubing (liquid tube), flared connection (φ9.52)
- ③ Refrigerant tubing (gas tube), flared connection (φ15.88)



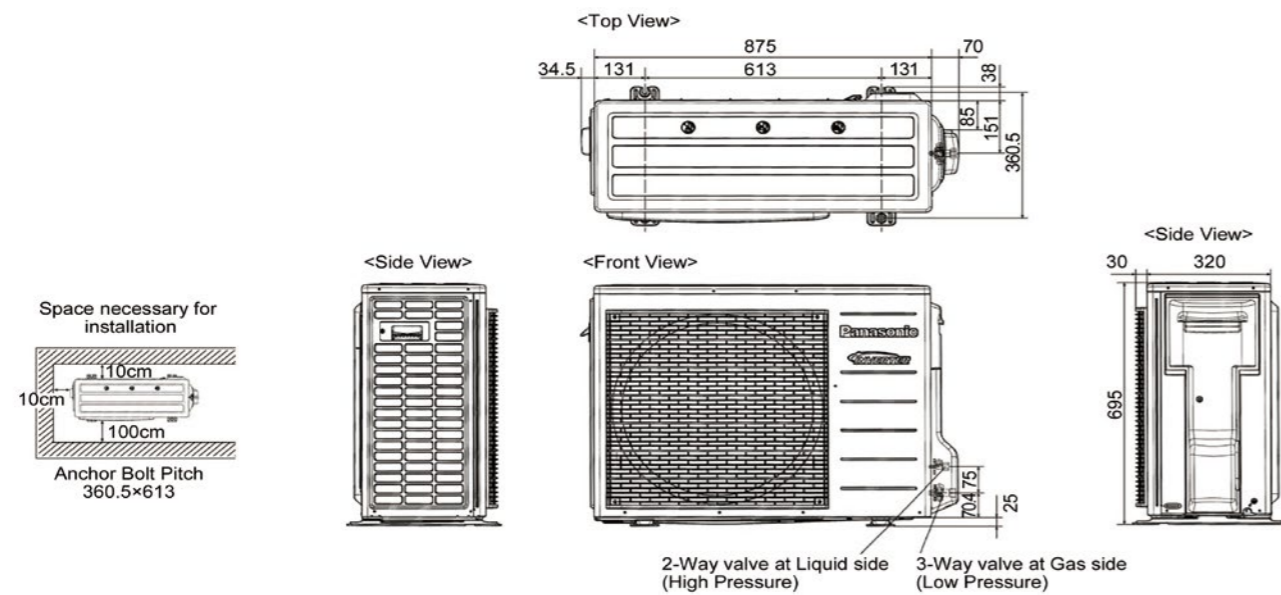
OUTDOOR UNITS

INVERTER MINI CASSETTE

Dimensions CU-S12MBZ (1-phase)



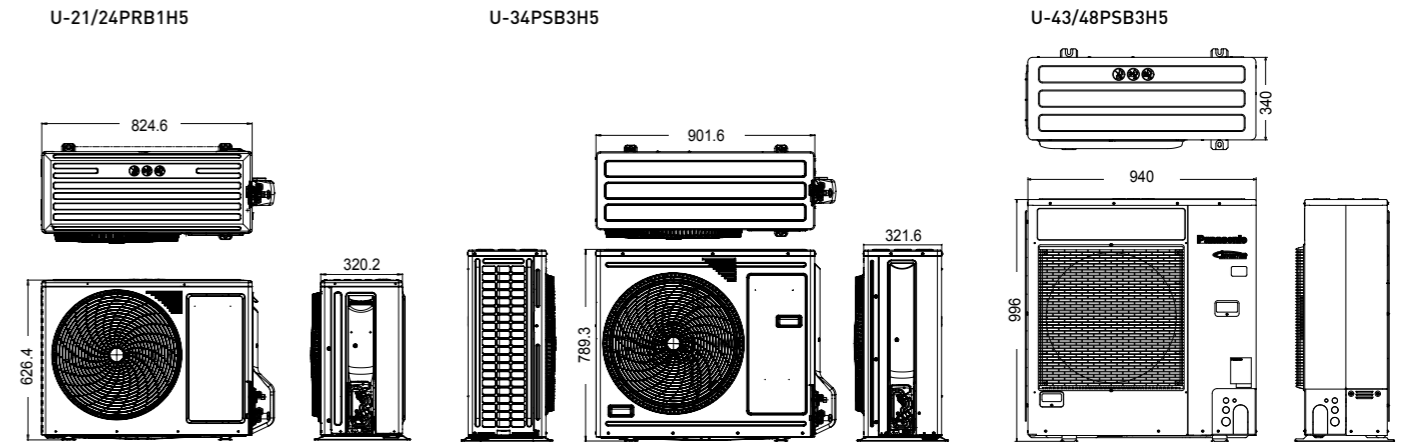
Dimensions CU-S18MBZ / CU-S24MBZ (1-phase)



Unit:mm

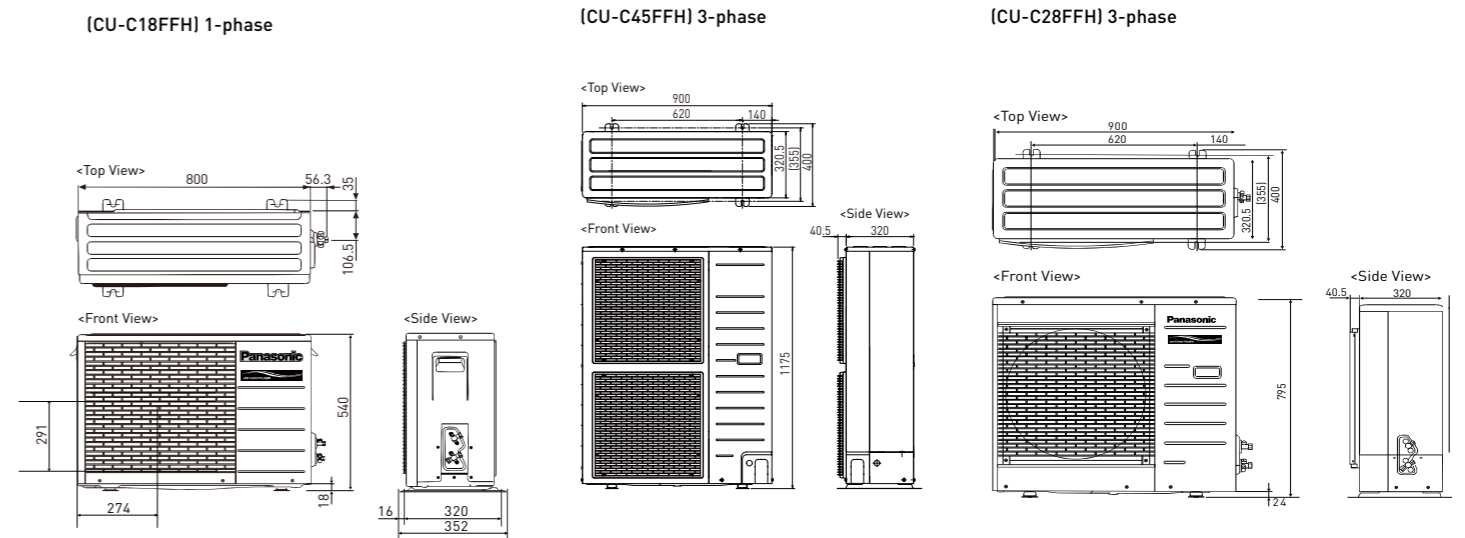
INVERTER FLOOR STAND

Dimensions



NON-INVERTER FLOOR STAND

Dimensions



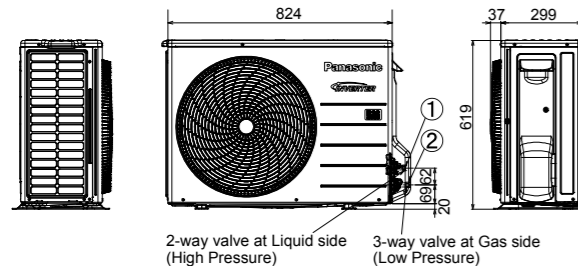
Unit:mm

OUTDOOR UNITS

HEAT PUMP models **INVERTER** **NEW**

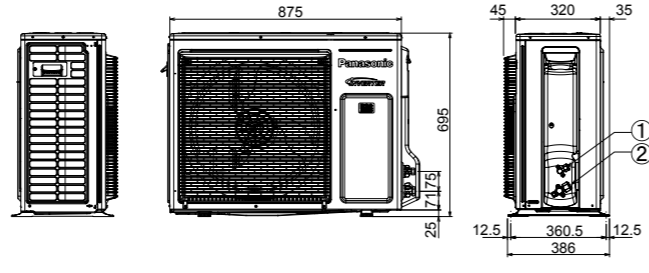
Dimensions

U-18PZ3H5



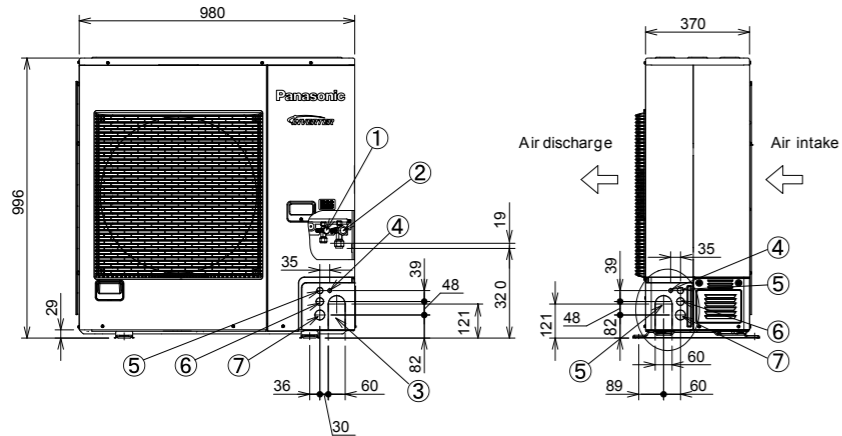
- | | |
|---|---|
| ① | Refrigerant tubing (liquid tube), flared connection (Ø6.35) |
| ② | Refrigerant tubing (gas tube), flared connection (Ø12.70) |
- *Mounting hole (4-R6.5), anchor bolt : M10

U-21PZ3H5/U-24PZ3H5



- | | |
|---|---|
| ① | Refrigerant tubing (liquid tube), flared connection (Ø9.52) |
| ② | Refrigerant tubing (gas tube), flared connection (Ø15.88) |
- *Mounting hole (4-R6.5), anchor bolt : M10

U-34PZ3H5/U-43PZ3H5/U-43PZ3H8/U-48PZ3H5/U-48PZ3H8



- | | |
|---|---|
| ① | Refrigerant tubing (liquid tube), flared connection (Ø9.52) |
| ② | Refrigerant tubing (gas tube), flared connection (Ø15.88) |
| ③ | Refrigerant tubing port |
| ④ | Electrical wiring port (Ø13) |
| ⑤ | Electrical wiring port (Ø22) |
| ⑥ | Electrical wiring port (Ø27) |
| ⑦ | Electrical wiring port (Ø35) |
- *Mounting hole (4-R6.5), anchor bolt : M10

Unit:mm